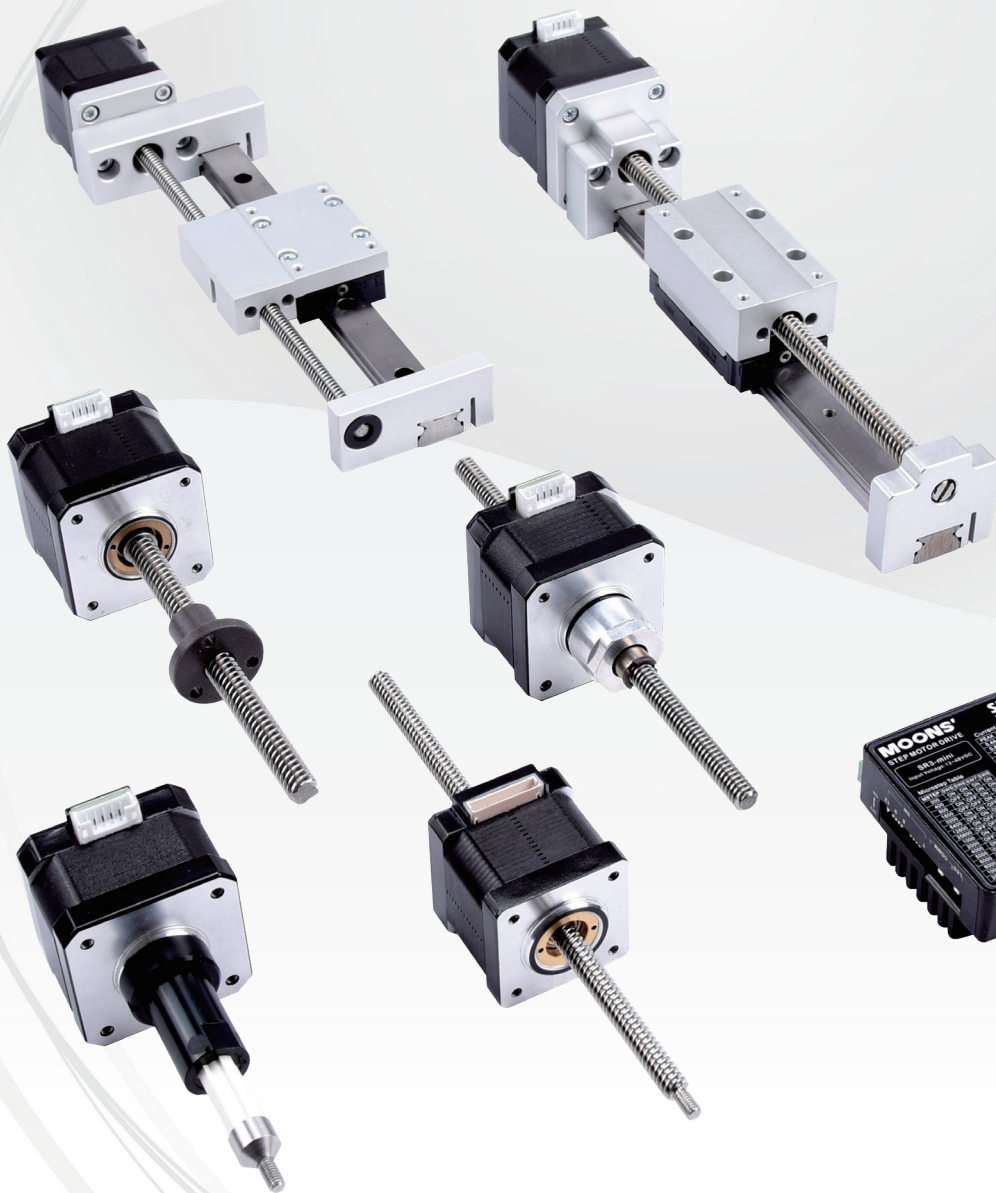


L Series Linear Step Motors & Slides



Lead Screw Motors

- LE Series
External Nut Type
- LN/LNSM Series
Non-Captive Type
- LC Series
Captive Shaft Type

Linear Slides

- MS Series
- CS Series

Stepper Drives

- SR Series
- STF Series

• Quick Response • Design Flexibility • Stable Performance



Milestones

- MAR. 2018 MOONS' Electric acquired Changzhou Yunkong Electronic CO., LTD.
- MAY. 2017 AMP & MOONS' Automation (Germany) GmbH was officially registered in Frankfurt, Germany
- MAY. 2017 MOONS' Electric was successfully listed on the Shanghai Stock Exchange
- JUN. 2015 MOONS' acquired LIN ENGINEERING
- MAY. 2015 MOONS' Electric and PBC Linear officially established Joint Venture
- JUN. 2014 MOONS' acquired Applied Motion Products
- MAR. 2014 MOONS' Guangzhou Branch Office opened
- OCT. 2013 MOONS' Industries Japan was established in Yokohama
- OCT. 2013 MOONS' Ningbo Branch Office opened
- DEC. 2012 MOONS' Xin'an Branch Office opened
- JUN. 2012 MOONS' Chengdu Branch Office opened
- AUG. 2011 MOONS' Wuhan Branch Office opened
- JUN. 2010 MOONS' Industries (South-East Asia) Pte Ltd. was established in Singapore
- SEP. 2009 MOONS' Industries (Europe) S.R.L was established in Milan, Italy
- JAN. 2009 MOONS' Qingdao Branch Office opened
- MAR. 2008 MOONS' PM Stepper Motor production started
- FEB. 2007 MOONS' established joint venture with Applied Motion Products and a driver company was set up
- JUL. 2006 MOONS' Nanjing Branch Office opened
- MAY. 2006 MOONS' new facility was built and factory relocation was completed
- JAN. 2005 First LED Driver was introduced to the market
- SEP. 2002 MOONS' Beijing Branch Office opened
- OTC. 2001 MOONS' Shenzhen Branch Office opened
- DEC. 2000 MOONS' Industries (America), Inc. was established in Chicago, USA
- OCT. 2000 MOONS' Power Supply Factory was set up and production started
- APR. 1998 MOONS' International Trading Company was established
- FEB. 1998 MOONS' Motor Factory was set up and HB Stepper Motor production started
- AUG. 1997 MOONS' Mini-Detective Polling System was introduced to the China market
- FEB. 1994 MOONS' was founded

Catalogue

L Series Linear Step Motors	01
LE : External Nut Type	04
Configuration Table	05
Standard Models for stock	09
LE08 Series (□20x20 mm)	10
LE11 Series (□28x28 mm)	13
LE14 Series (□35x35 mm)	17
LE17 Series (□42x42 mm)	20
LE23 Series (□57x57 mm)	25
Encoder Options	29
Brake Options	30
LN/LNSM : Non-captive Type	32
Configuration Table	33
Standard Models for stock	35
LN08 Series (□20x20 mm)	36
LN11/ LNSM11 Series (□28x28 mm)	38
LN14/ LNSM14 Series (□35x35 mm)	41
LN17/ LNSM17 Series (□42x42 mm)	44
LN23/ LNSM23 Series (□57x57 mm)	48
LC : Captive Type	52
Configuration Table	53
Standard Models for stock	54
LC08 Series (□20x20 mm)	55
LC11 Series (□28x28 mm)	57
LC14 Series (□35x35 mm)	59
LC17 Series (□42x42 mm)	61
LC23 Series (□57x57 mm)	64
Linear Slides (Lead Screws)	67
MS28 Series	68
MS35 Series	70
MS42 Series	72
CS35 Series	74
CS42 Series	76
Stepper Drives	78
SR Series	78
STF Series	81
How To Get Samples Quickly	86

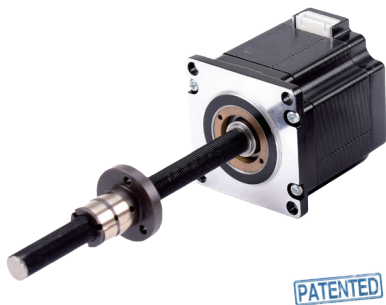
L Series Linear Step Motors

MOONS' has combined years of hybrid step motor experience, with quality leadscrews and nuts, to create the L Series linear step motors. The L Series linear step motors provide more force, high precision, and options to fit the application needs of machine designers.

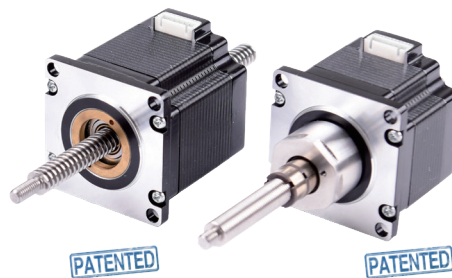
- Three styles of linear step motors
- Five frame sizes: NEMA08/11/14/17/23
- Multiple motor lengths and motor sizes
- Each motor size has a rich range of lead screws
- Each frame size motor has standard options to offering rapid delivery

In addition, MOONS' makes customized services. We has committed to product innovation design and technical improvement, with excellent product quality,application technology, fast and flexible services,which provide customers with high level Linear motion solutions.

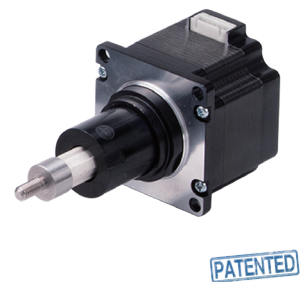
Basic Styles



External Nut - Leadscrew Shaft



Non-Captive Shaft



Linear Captive Shaft

★ All of MOONS'Linear Stepping Motor Products that involved the unique technologies have been applied for patents.

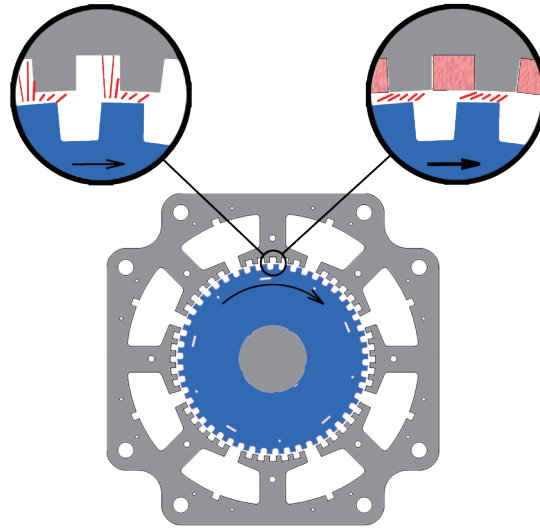
MOONS' Technology

■ PowerPlus Technology

MOONS' PowerPlus technology provides 25% to 40% more torque across the entire speed range of the motor. The increased torque is a result of higher motor efficiency, and is available without increasing the drive voltage or current.

Conventional Motor

Some of the torque producing magnetic flux that links the rotor to the stator is outside the stator teeth. This stray flux adds little to motor torque.



PowerPlus Technology

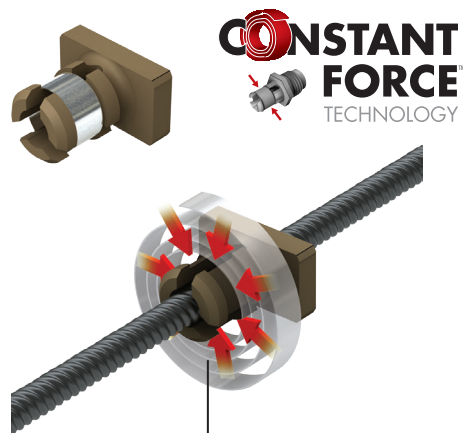
Magnets placed between the stator teeth redirect most of the stray magnetic flux into the stator teeth. This produces additional torque with the same input power.

■ Constant Force Technology

Constant Force™ Anti-Backlash Nut

An intuitive leap forward in nut design for lead screw applications, Constant Force Technology utilizes a constant force spring to apply a uniform pressure to the nut at all stages of the motion profile.

- Greater consistency and resistance to backlash
- Configurable for various torque requirements
- Patent pending self-adjusting anti-backlash feature
- Polymer nuts are self-lubricating and maintenance free



Patent pending Constant Force Technology nut provides consistent anti-backlash operation

MOONS' Technology

■ Integrated solution

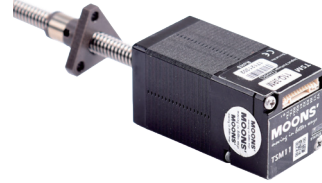
MOONS' also provide many integrated solutions in order to satisfy the wider application, such as Integrated encoder type, Integrated brake type, Integrated Step-Servo type and so on.



Integrated encoder type



Integrated brake type



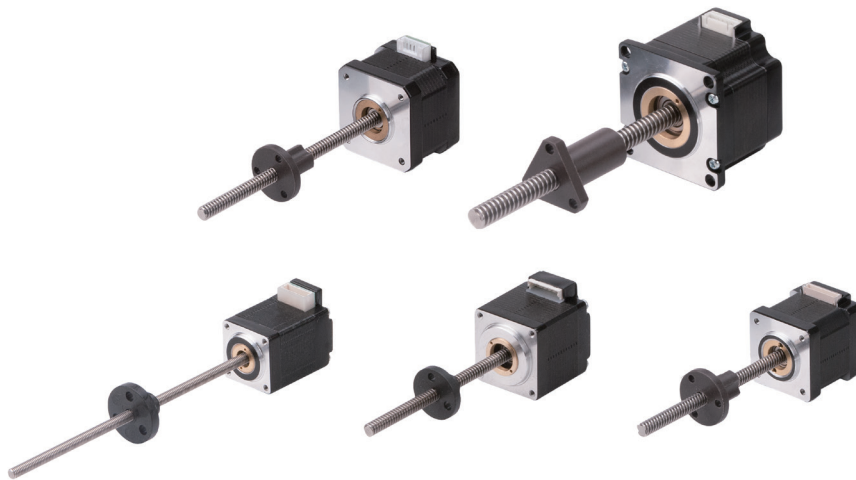
Integrated Step-Servo type

LE : External Nut Type

A leadscrew is integrated into the motor to become the motor shaft. The nut is external to the motor and attached to the driven mechanism. As the motor rotates the nut moves along the shaft. Leadscrew lengths are often customized for specific applications.

- Five frame sizes: NEMA08/11/14/17/23
- Multiple motor lengths and motor sizes
- Each motor size has a rich range of lead screws
- Standard nut or anti-backlash nut options

This series of products has a variety of motors, lead screws and nuts optional collocation, to provide customers with more suitable for the application needs, more stable, reliable linear motion solution.



■ Numbering System

LE	174S	-	T0808	-	100	-	AR1	-	S	-	XXX
①	②		③		④		⑤		⑥		⑦
Series	Motor type		Lead screw type		Screw length (mm)		Nut type		Customized Code S=Screw End Machining		Rated Current XXX=X.XX(A)

LE Series Configuration Table (Metric Screw)

Nominal Diameter (mm)	Lead (mm)	Lead Screw Code						
			LE080K	LE081K	LE081S	LE111S	LE113S	LE115S
3.5	1	M3501	⊙	⊙	⊙	-	-	-
5	1	M0501	-	-	-	⊙	⊙	⊙
	5	M0505	-	-	-	⊙	⊙	⊙
	20	M0520	-	-	-	⊙	⊙	⊙
6	1	W0601	-	-	-	⊙	⊙	⊙
	2	M0602	-	-	-	⊙	⊙	⊙
6.5	3	T6503	-	-	-	⊙	⊙	⊙
8	1	T0801	-	-	-	-	-	-
	1.25	T08012	-	-	-	-	-	-
	2	T0802	-	-	-	-	-	-
	3	T0803	-	-	-	-	-	-
	4	T0804	-	-	-	-	-	-
	5	T0805	-	-	-	-	-	-
	8	T0808	-	-	-	-	-	-
	10	T0810	-	-	-	-	-	-
	12	T0812	-	-	-	-	-	-
	15	T0815	-	-	-	-	-	-
	30	T0830	-	-	-	-	-	-
10	1	M1001	-	-	-	-	-	-
	2	M1002	-	-	-	-	-	-
	3	M1003	-	-	-	-	-	-
	10.5	T10105	-	-	-	-	-	-
	15	T1015	-	-	-	-	-	-
12	2	T1202	-	-	-	-	-	-
	6	T1206	-	-	-	-	-	-
14	4	T1404	-	-	-	-	-	

Note: 1. Marked with "⊙" was recommend matches, for more matches please contact with MOONS'.
2. The table shown is standard leadscrew options, for PTFE Coating screw please contact with MOONS'.

Motor Options										
LE141A	LE141S	LE143S	LE174A	LE174S	LE172S	LE176S	LE234S	LE238S	LE23AS	LE23ASP
-	-	-	-	-	-	-	-	-	-	-
-	-	-	-	-	-	-	-	-	-	-
-	-	-	-	-	-	-	-	-	-	-
-	-	-	-	-	-	-	-	-	-	-
⊙	⊙	⊙	-	-	-	-	-	-	-	-
⊙	⊙	⊙	-	-	-	-	-	-	-	-
⊙	⊙	⊙	-	-	-	-	-	-	-	-
⊙	⊙	⊙	⊙	⊙	⊙	⊙	-	-	-	-
⊙	⊙	⊙	⊙	⊙	⊙	⊙	-	-	-	-
⊙	⊙	⊙	⊙	⊙	⊙	⊙	-	-	-	-
⊙	⊙	⊙	⊙	⊙	⊙	⊙	-	-	-	-
⊙	⊙	⊙	⊙	⊙	⊙	⊙	-	-	-	-
⊙	⊙	⊙	⊙	⊙	⊙	⊙	-	-	-	-
⊙	⊙	⊙	⊙	⊙	⊙	⊙	-	-	-	-
⊙	⊙	⊙	⊙	⊙	⊙	⊙	-	-	-	-
⊙	⊙	⊙	⊙	⊙	⊙	⊙	-	-	-	-
⊙	⊙	⊙	⊙	⊙	⊙	⊙	-	-	-	-
-	-	-	⊙	⊙	⊙	⊙	⊙	⊙	⊙	⊙
-	-	-	⊙	⊙	⊙	⊙	⊙	⊙	⊙	⊙
-	-	-	⊙	⊙	⊙	⊙	⊙	⊙	⊙	⊙
-	-	-	⊙	⊙	⊙	⊙	⊙	⊙	⊙	⊙
-	-	-	⊙	⊙	⊙	⊙	⊙	⊙	⊙	⊙
-	-	-	-	-	-	-	⊙	⊙	⊙	⊙
-	-	-	-	-	-	-	⊙	⊙	⊙	⊙
-	-	-	-	-	-	-	⊙	⊙	⊙	⊙

LE Series Configuration Table (Inch Screw)

Nominal Diameter		Lead		Lead Screw Code						
inch	mm	inch	mm		LE080K	LE081K	LE081S	LE111S	LE113S	LE115S
0.138	3.51	0.024	0.61	E03006	⊙	⊙	⊙	-	-	-
		0.048	1.22	E03012	⊙	⊙	⊙	-	-	-
		0.096	2.44	E03024	⊙	⊙	⊙	-	-	-
0.188	4.78	0.025	0.64	E04006	⊙	⊙	⊙	⊙	⊙	⊙
		0.05	1.27	E04012	⊙	⊙	⊙	⊙	⊙	⊙
		0.1	2.54	E04025	⊙	⊙	⊙	⊙	⊙	⊙
0.218	5.54	0.024	0.61	E05006	-	-	-	⊙	⊙	⊙
		0.048	1.22	E05012	-	-	-	⊙	⊙	⊙
		0.192	4.88	E05048	-	-	-	⊙	⊙	⊙
0.25	6.35	0.031	0.79	E06008	-	-	-	⊙	⊙	⊙
		0.063	1.60	E06016	-	-	-	⊙	⊙	⊙
		0.125	3.18	E06032	-	-	-	⊙	⊙	⊙
		0.25	6.35	E06063	-	-	-	⊙	⊙	⊙
		0.333	8.46	E06085	-	-	-	⊙	⊙	⊙
		0.5	12.70	E06127	-	-	-	⊙	⊙	⊙
0.375	9.53	1	25.40	E06254	-	-	-	⊙	⊙	⊙
		0.1	2.54	E09025	-	-	-	-	-	-
		0.2	5.08	E09050	-	-	-	-	-	-
0.382	9.70	0.4	10.16	E09102	-	-	-	-	-	-
		1	25.40	E09254	-	-	-	-	-	-
0.472	11.99	1	25.40	E12254	-	-	-	-	-	-

Note: 1. Marked with "⊙" was recommend matches, for more matches please contact with MOONS'.
2. The table shown is standard leadscrew options, for PTFE Coating screw please contact with MOONS'.

Motor Options										
LE141A	LE141S	LE143S	LE174A	LE174S	LE172S	LE176S	LE234S	LE238S	LE23AS	LE23ASP
-	-	-	-	-	-	-	-	-	-	-
-	-	-	-	-	-	-	-	-	-	-
-	-	-	-	-	-	-	-	-	-	-
-	-	-	-	-	-	-	-	-	-	-
-	-	-	-	-	-	-	-	-	-	-
-	-	-	-	-	-	-	-	-	-	-
-	-	-	-	-	-	-	-	-	-	-
-	-	-	-	-	-	-	-	-	-	-
-	-	-	-	-	-	-	-	-	-	-
-	-	-	-	-	-	-	-	-	-	-
⊙	⊙	⊙	⊙	⊙	⊙	⊙	-	-	-	-
⊙	⊙	⊙	⊙	⊙	⊙	⊙	-	-	-	-
⊙	⊙	⊙	⊙	⊙	⊙	⊙	-	-	-	-
⊙	⊙	⊙	⊙	⊙	⊙	⊙	-	-	-	-
⊙	⊙	⊙	⊙	⊙	⊙	⊙	-	-	-	-
⊙	⊙	⊙	⊙	⊙	⊙	⊙	-	-	-	-
⊙	⊙	⊙	⊙	⊙	⊙	⊙	-	-	-	-
-	-	-	⊙	⊙	⊙	⊙	⊙	⊙	⊙	⊙
-	-	-	⊙	⊙	⊙	⊙	⊙	⊙	⊙	⊙
-	-	-	⊙	⊙	⊙	⊙	⊙	⊙	⊙	⊙
-	-	-	⊙	⊙	⊙	⊙	⊙	⊙	⊙	⊙
-	-	-	-	-	-	-	⊙	⊙	⊙	⊙

LE Series Standard Models for stock

LE Series

Size (mm)	Motor Series	Lead Screw Options	Screw Length Options	Nut Options	End Machining Code	Rated Current Options	Page
20X20	LE080K	E03006	30, 40, 50, 60, 70, 80, 90, 100,	AR0	S	040	P10
	LE080K	E04025	110, 120,130, 140, 150	AR0	S	040	
	LE081K	E03006	30, 40, 50, 60, 70, 80, 90, 100,	AR0	S	040	
	LE081K	E04025	110, 120,130, 140, 150	AR0	S	040	
28X28	LE111S	W0601	50, 60, 70, 80, 90, 100, 110, 120, 130, 140, 150, 160, 170, 180, 190, 200	AR1	S	050, 100	P13
	LE111S	T6503		AR1	S	050, 100	
	LE111S	E06063		AR1	S	050, 100	
	LE111S	E06127		AR1	S	050, 100	
	LE115S	W0601	50, 60, 70, 80, 90, 100, 110, 120, 130, 140, 150, 160, 170, 180, 190, 200	AR1	S	100	
	LE115S	T6503		AR1	S	100	
	LE115S	E06063		AR1	S	100	
	LE115S	E06127		AR1	S	100	
35X35	LE141S	W0601	50, 60, 70, 80, 90, 100, 110, 120, 130, 140, 150, 160, 170, 180, 190, 200	AR1	S	100	P17
	LE141S	T6503		AR1	S	100	
	LE141S	E06063		AR1	S	100	
	LE141S	E06127		AR1	S	100	
	LE143S	W0601	50, 60, 70, 80, 90, 100, 110, 120, 130, 140, 150, 160, 170, 180, 190, 200	AR1	S	050, 150	
	LE143S	T6503		AR1	S	050, 150	
	LE143S	E06063		AR1	S	050, 150	
	LE143S	E06127		AR1	S	050, 150	
42X42	LE174S	T08012	50, 60, 75, 90, 100, 110, 125, 140, 150, 160, 175, 190, 200, 210, 225, 240, 250, 260, 275, 290, 300	AR3	S	065,150	P20
	LE174S	T0804		AR3	S	065,150	
	LE174S	T0808		AR3	S	065,150	
	LE172S	T08012	50, 60, 75, 90, 100, 110, 125, 140, 150, 160, 175, 190, 200, 210, 225, 240, 250, 260, 275, 290, 300	AR3	S	100,200	
	LE172S	T0804		AR3	S	100,200	
	LE172S	T0808		AR3	S	100,200	
	LE176S	T08012	50, 60, 75, 90, 100, 110, 125, 140, 150, 160, 175, 190, 200, 210, 225, 240, 250, 260, 275, 290, 300	AR3	S	100,200	
	LE176S	T0804		AR3	S	100,200	
	LE176S	T0808		AR3	S	100,200	
	LE176S	T10105		AR2	S	100,200	
57X57	LE234S	T1202	100, 125, 150, 175, 200, 225, 250, 275, 300, 325, 350, 375, 400	AR6	S	210	P25
	LE234S	T1206		AR6	S	210	
	LE234S	T10105		AR2	S	210	
	LE234S	E12254		AR6	S	210	
	LE238S	T1202	100, 125, 150, 175, 200, 225, 250, 275, 300, 325, 350, 375, 400	AR6	S	220	
	LE238S	T1206		AR6	S	220	
	LE238S	T10105		AR2	S	220	
	LE238S	E12254		AR6	S	220	
	LE23AS	T1202	100, 125, 150, 175, 200, 225, 250, 275, 300, 325, 350, 375, 400	AR6	S	150, 300	
	LE23AS	T1206		AR6	S	150, 300	
LE23AS	T10105	AR2		S	150, 300		
LE23AS	E12254	AR6		S	150, 300		

① Select configuration codes							
Motor Series	Lead Screw Options	Screw Length Options	Nut Options	End Machining Code	Rated Current Options		
LE111S	W0601	50, 60, 70, 80, 90, 100, 110, 120, 130, 140, 150, 160, 170, 180, 190, 200	AR1	S	050, 100		
② Determine the order Models							
LE111S - W0601 - 100 - AR1 - S - 050							
In addition to the standard order Models, also provides a wealth of customized configuration options, for more information please contact the factory.							

LE08 Series

Phases	2
Step Accuracy	±5%
IP Rating	40
Approvals	RoHS
Operating Temp.	-20°C~+50°C
Insulation Class	B(130°C)
Insulation Resistance	100MegOhms



LE Series

Ordering Information

LE 08 OK – E03006 – 100 – AR0 – 0 – XXX

<p>Lead Screw Motor Type Code</p> <table border="1" style="width: 100%; border-collapse: collapse;"> <thead> <tr> <th>Code</th> <th>Structure Type</th> </tr> </thead> <tbody> <tr> <td>LE</td> <td>External Nut - Lead screw Shaft</td> </tr> </tbody> </table> <p>Frame Size Code</p> <table border="1" style="width: 100%; border-collapse: collapse;"> <thead> <tr> <th>Code</th> <th>Frame Size</th> </tr> </thead> <tbody> <tr> <td>08</td> <td>20mm</td> </tr> </tbody> </table> <p>Motor Body Length Code</p> <table border="1" style="width: 100%; border-collapse: collapse;"> <thead> <tr> <th>Code</th> <th>Motor Body Length Max(mm)</th> <th>Step Angle (°)</th> </tr> </thead> <tbody> <tr> <td>OK</td> <td>20</td> <td rowspan="3">1.8</td> </tr> <tr> <td>1K</td> <td>27</td> </tr> <tr> <td>1S</td> <td>30</td> </tr> </tbody> </table> <p>Lead Screw Type Code</p> <table border="1" style="width: 100%; border-collapse: collapse;"> <thead> <tr> <th rowspan="2">Code</th> <th rowspan="2">Nominal Diameter (mm)</th> <th rowspan="2">Lead (mm)</th> <th colspan="2">Travel(mm)</th> </tr> <tr> <th colspan="2">Travel Per1.8°</th> </tr> </thead> <tbody> <tr> <td>M3501</td> <td>3.5</td> <td>1</td> <td colspan="2">0.005</td> </tr> </tbody> </table> <table border="1" style="width: 100%; border-collapse: collapse;"> <thead> <tr> <th rowspan="2">Code</th> <th colspan="2">Nominal Diameter</th> <th colspan="2">Lead</th> <th>Travel(mm)</th> </tr> <tr> <th>inch</th> <th>mm</th> <th>inch</th> <th>mm</th> <th>Travel Per1.8°</th> </tr> </thead> <tbody> <tr> <td>E03006</td> <td rowspan="3">0.138</td> <td rowspan="3">3.51</td> <td>0.024</td> <td>0.61</td> <td>0.0030*</td> </tr> <tr> <td>E03012</td> <td>0.048</td> <td>1.22</td> <td>0.0061*</td> </tr> <tr> <td>E03024</td> <td>0.096</td> <td>2.44</td> <td>0.0122*</td> </tr> <tr> <td>E04006</td> <td rowspan="3">0.188</td> <td rowspan="3">4.78</td> <td>0.025</td> <td>0.64</td> <td>0.0032*</td> </tr> <tr> <td>E04012</td> <td>0.05</td> <td>1.27</td> <td>0.0064*</td> </tr> <tr> <td>E04025</td> <td>0.1</td> <td>2.54</td> <td>0.0127*</td> </tr> </tbody> </table> <p><small>The number with * is abbreviated.</small></p>	Code	Structure Type	LE	External Nut - Lead screw Shaft	Code	Frame Size	08	20mm	Code	Motor Body Length Max(mm)	Step Angle (°)	OK	20	1.8	1K	27	1S	30	Code	Nominal Diameter (mm)	Lead (mm)	Travel(mm)		Travel Per1.8°		M3501	3.5	1	0.005		Code	Nominal Diameter		Lead		Travel(mm)	inch	mm	inch	mm	Travel Per1.8°	E03006	0.138	3.51	0.024	0.61	0.0030*	E03012	0.048	1.22	0.0061*	E03024	0.096	2.44	0.0122*	E04006	0.188	4.78	0.025	0.64	0.0032*	E04012	0.05	1.27	0.0064*	E04025	0.1	2.54	0.0127*	<p>Rated Current Code</p> <p>XXX=X.XX(A)</p> <p>Special Custom Type Code</p> <table border="1" style="width: 100%; border-collapse: collapse;"> <thead> <tr> <th>Code</th> <th>Custom Type</th> </tr> </thead> <tbody> <tr> <td>0</td> <td>Non Special Custom</td> </tr> <tr> <td>S</td> <td>Lead Screw End Machining</td> </tr> <tr> <td>C</td> <td>Other Special Custom Type</td> </tr> </tbody> </table> <p>Nut Type Code</p> <table border="1" style="width: 100%; border-collapse: collapse;"> <thead> <tr> <th>Code</th> <th>Nut Type</th> </tr> </thead> <tbody> <tr> <td>AR0</td> <td>Round Standard Nut</td> </tr> <tr> <td>BR0</td> <td>Round Anti-Backlash Nut</td> </tr> <tr> <td>AT0</td> <td>Triangular Standard Nut</td> </tr> <tr> <td>BT0</td> <td>Triangular Anti-Backlash Nut</td> </tr> <tr> <td>CN</td> <td>Custom Made Nut</td> </tr> </tbody> </table> <p style="text-align: right;">Lx</p> <table border="1" style="width: 100%; border-collapse: collapse;"> <thead> <tr> <th>###</th> <th>Provided in 1 mm increments</th> </tr> </thead> <tbody> <tr> <td> </td> <td> </td> </tr> </tbody> </table>	Code	Custom Type	0	Non Special Custom	S	Lead Screw End Machining	C	Other Special Custom Type	Code	Nut Type	AR0	Round Standard Nut	BR0	Round Anti-Backlash Nut	AT0	Triangular Standard Nut	BT0	Triangular Anti-Backlash Nut	CN	Custom Made Nut	###	Provided in 1 mm increments		
Code	Structure Type																																																																																													
LE	External Nut - Lead screw Shaft																																																																																													
Code	Frame Size																																																																																													
08	20mm																																																																																													
Code	Motor Body Length Max(mm)	Step Angle (°)																																																																																												
OK	20	1.8																																																																																												
1K	27																																																																																													
1S	30																																																																																													
Code	Nominal Diameter (mm)	Lead (mm)	Travel(mm)																																																																																											
			Travel Per1.8°																																																																																											
M3501	3.5	1	0.005																																																																																											
Code	Nominal Diameter		Lead		Travel(mm)																																																																																									
	inch	mm	inch	mm	Travel Per1.8°																																																																																									
E03006	0.138	3.51	0.024	0.61	0.0030*																																																																																									
E03012			0.048	1.22	0.0061*																																																																																									
E03024			0.096	2.44	0.0122*																																																																																									
E04006	0.188	4.78	0.025	0.64	0.0032*																																																																																									
E04012			0.05	1.27	0.0064*																																																																																									
E04025			0.1	2.54	0.0127*																																																																																									
Code	Custom Type																																																																																													
0	Non Special Custom																																																																																													
S	Lead Screw End Machining																																																																																													
C	Other Special Custom Type																																																																																													
Code	Nut Type																																																																																													
AR0	Round Standard Nut																																																																																													
BR0	Round Anti-Backlash Nut																																																																																													
AT0	Triangular Standard Nut																																																																																													
BT0	Triangular Anti-Backlash Nut																																																																																													
CN	Custom Made Nut																																																																																													
###	Provided in 1 mm increments																																																																																													

Note: Choose the standard order models can get the sample quickly, please see P9 for standard models.

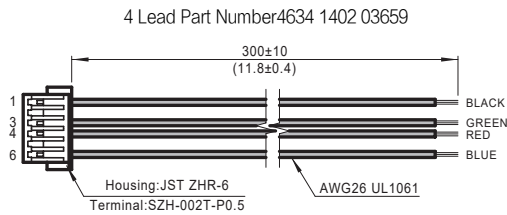
LE08 Series

LE08 Step Motor - 4 Lead Bi-Polar

Motor Type Code	Motor Body Length (mm)	Step Angle (°)	Electrical Connection	Rated Current (Amps)	Winding	
					Resistanc(Ohms) ±10%@20°C	Inductance(mH) Typ.
LE080K	20	1.8	Leads	0.4	8.5	2.7
LE081K	27		Leads	0.4	12.7	4.1
LE081S	30		Plug In Connector	0.5	8.6	6.5

Note: Recommended Driver, DC Input: SR2-Plus, SR3-mini.

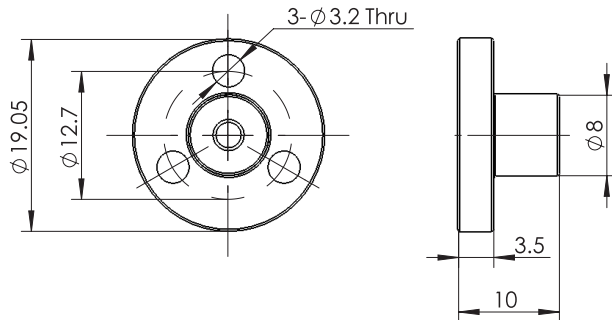
Mating Connector With Leads (order separately)



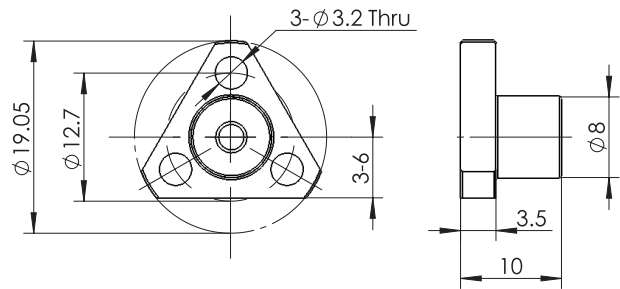
Nut Type

UNIT:mm

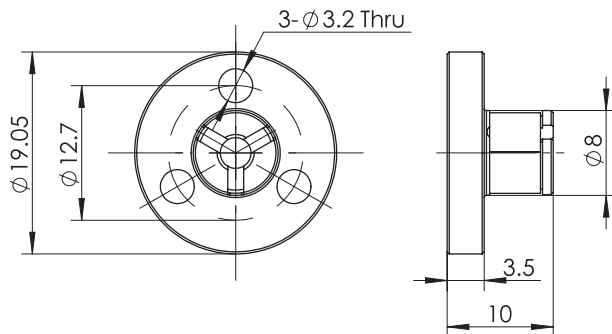
Round Standard Nut AR0



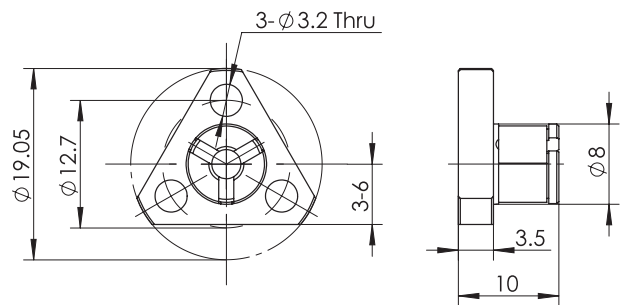
Triangular Standard Nut AT0



Round Anti-Backlash Nut BR0



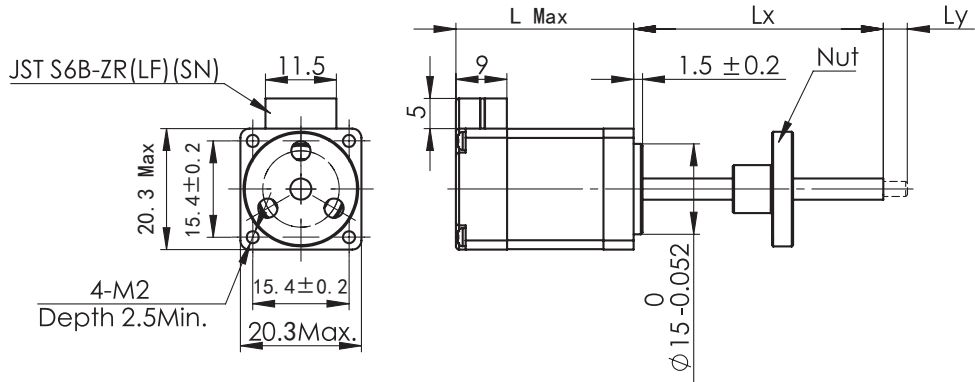
Triangular Anti-Backlash Nut BT0



LE08 Series

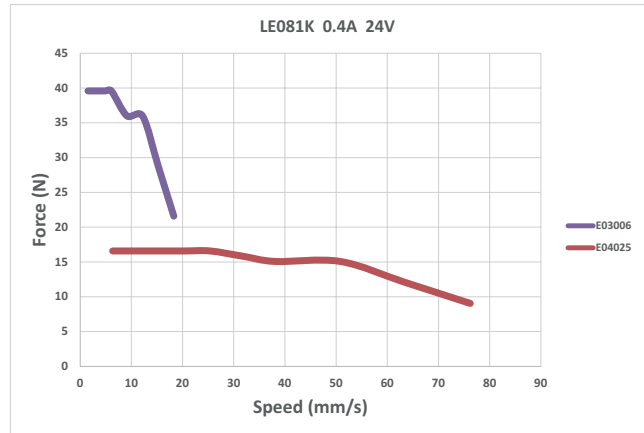
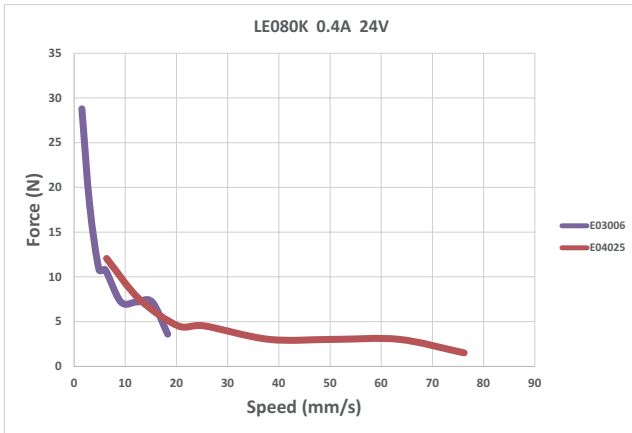
Dimensional Information

UNIT:mm



Motor Type	Dimension "L"
LE080K	20
LE081K	27
LE081S	30

Speed - Force Reference Curve



LE11 Series

Phases	2
Step Accuracy	±5%
IP Rating	40
Approvals	RoHS
Operating Temp.	-20°C~+50°C
Insulation Class	B(130°C)
Insulation Resistance	100MegOhms



Ordering Information

LE 11 1S - W0601 - 100 - AR1 - 0 - XXX

Lead Screw Motor Type Code

Code	Structure Type
LE	External Nut - Lead screw Shaft

Frame Size Code

Code	Frame Size
11	28mm

Motor Body Length Code

Code	Motor Body Length Max(mm)	Step Angle (°)
1S	32	1.8
3S	41	
5S	52	

Lead Screw Type Code

Code	Nominal Diameter (mm)	Lead (mm)	Travel(mm)	
			Travel Per 1.8°	
M0501	5	1	0.005	
M0505		5	0.025	
M0520		20	0.1	
W0601	6	1	0.005	
M0602		2	0.01	
T6503	6.5	3	0.015	

Code	Nominal Diameter		Lead		Travel(mm)	
	inch	mm	inch	mm	Travel Per 1.8°	
E04006	0.188	4.78	0.025	0.64	0.0032*	
E04012			0.05	1.27	0.0064*	
E04025			0.1	2.54	0.0127*	
E05006	0.218	5.54	0.024	0.61	0.0030*	
E05012			0.048	1.22	0.0061*	
E05048			0.192	4.88	0.0244*	
E06008	0.25	6.35	0.031	0.79	0.0039*	
E06016			0.063	1.60	0.008	
E06032			0.125	3.18	0.0159*	
E06063			0.25	6.35	0.0318*	
E06085			0.333	8.46	0.0423*	
E06127			0.5	12.70	0.0635	
E06254			1	25.40	0.1270	

The number with * is abbreviated.

Rated Current Code

XXX=X.XX(A)

Special Custom Type Code

Code	Custom Type
0	Non Special Custom
S	Lead Screw End Machining
E	Add Encoder
B	Add Brake
C	Other Special Custom Type

Nut Type Code

Code	Nut Type	Mating Lead Screw
AR0	Round Standard Nut	E04006
BR0	Round Anti-Backlash Nut	E04012
AT0	Triangular Standard Nut	E04025
BT0	Triangular Anti-Backlash Nut	M0501
		M0505
		M0520
AR1	Round Standard Nut	E05006
BR1	Round Anti-Backlash Nut	E05012
		E05048
AT1	Triangular Standard Nut	E06008
		E06015
		E06032
BT1	Triangular Anti-Backlash Nut	E06063
CN	Custom Made Nut	

Lx

Provided in 1 mm increments

Note: Choose the standard order models can get the sample quickly, please see P9 for standard models.

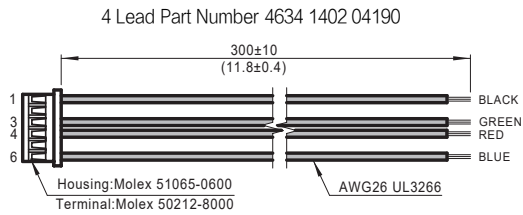
LE11 Series

LE11 Step Motor - 4 Lead Bi-Polar

Motor Type Code	Motor Body Length (mm)	Step Angle (°)	Electrical Connection	Rated Current (Amps)	Winding	
					Resistanc(Ohms) ±10%@20°C	Inductance(mH) Typ.
LE111S	32	1.8	Plug In Connector	0.5	10.9	9.7
				0.67	6.1	5.5
				1	2.7	2.5
LE113S	41		Plug In Connector	0.95	3.8	3.5
LE115S	52		Plug In Connector	1	3.7	3.1

Note: Recommended Driver, DC Input: SR2-Plus.

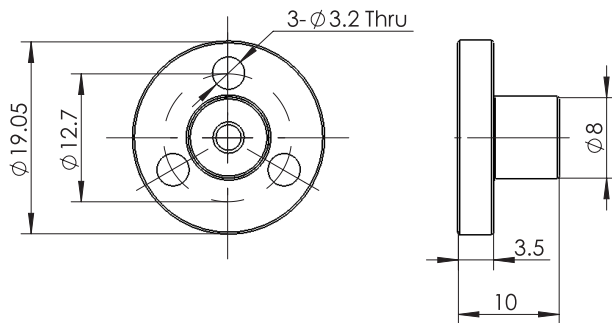
Mating Connector With Leads (order separately)



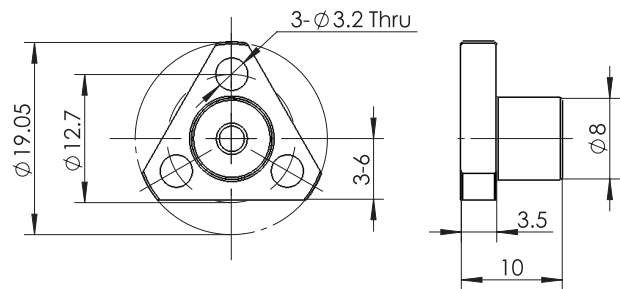
Nut Type

UNIT:mm

Round Standard Nut AR0



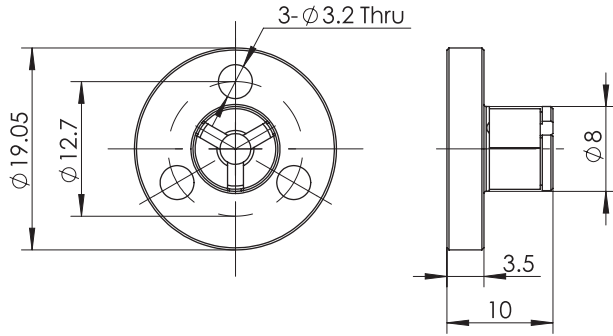
Triangular Standard Nut AT0



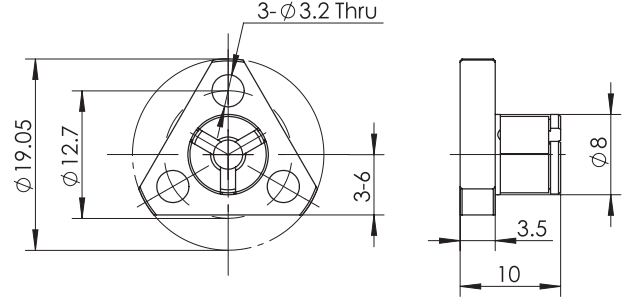
LE11 Series

LE Series

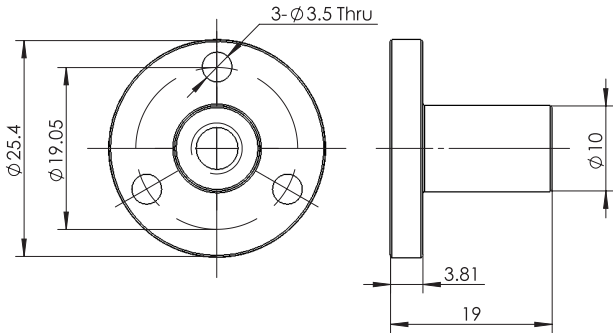
Round Anti-Backlash Nut BR0



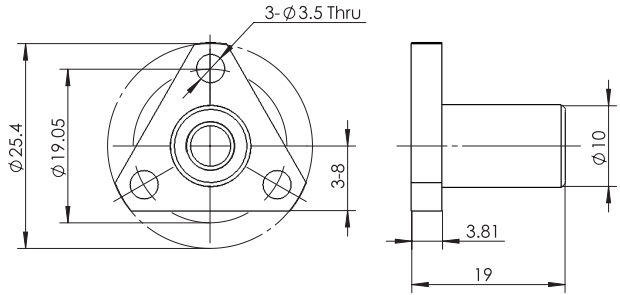
Triangular Anti-Backlash Nut BT0



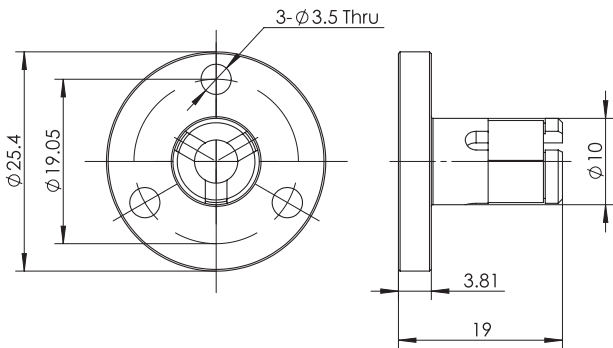
Round Standard Nut AR1



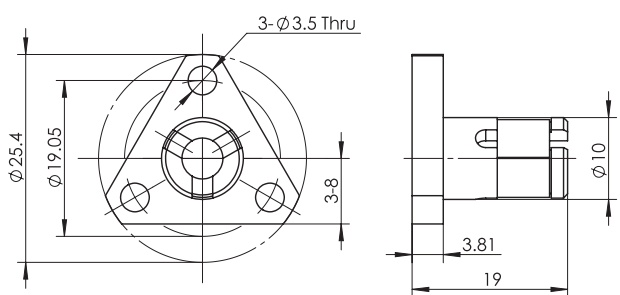
Triangular Standard Nut AT1



Round Anti-Backlash Nut BR1



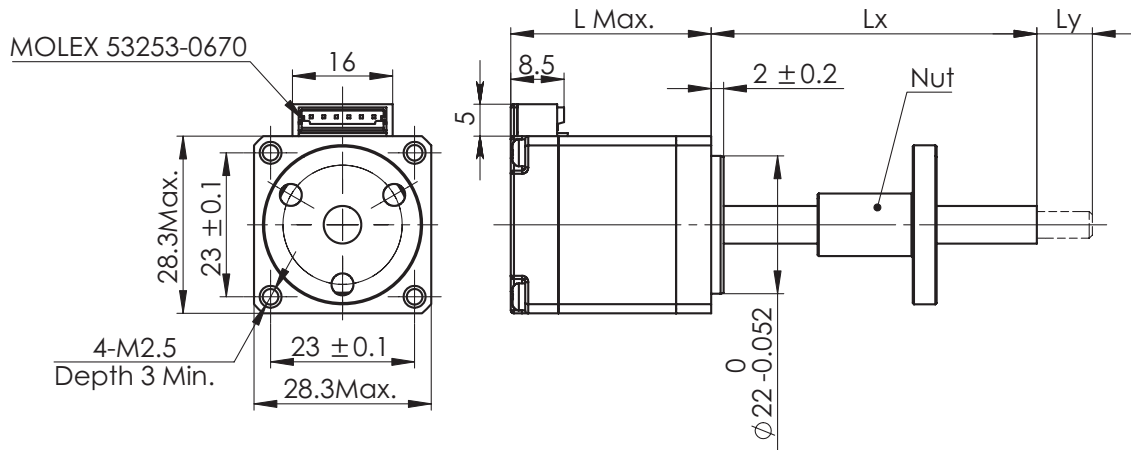
Triangular Anti-Backlash Nut BT1



LE11 Series

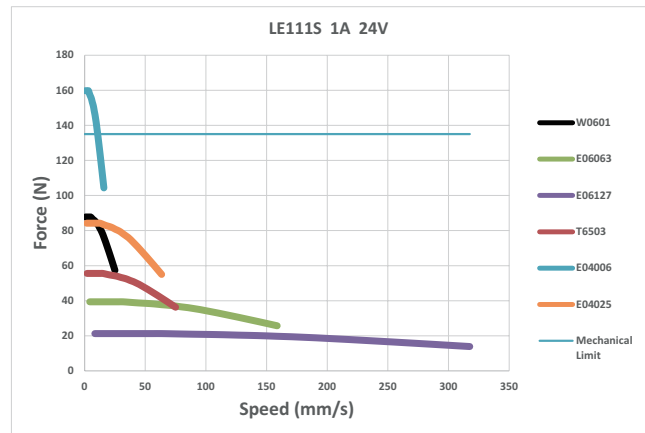
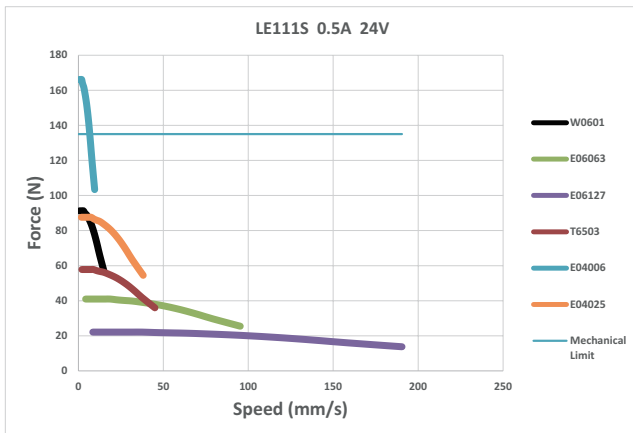
Dimensional Information

UNIT:mm



Motor Type	Dimension "L"
LE111S	32
LE113S	41
LE115S	52

Speed - Force Reference Curve



LE Series

LE14 Series

Phases	2
Step Accuracy	±5%
IP Rating	40
Approvals	RoHS
Operating Temp.	-20°C~+50°C
Insulation Class	B(130°C)
Insulation Resistance	100MegOhms



Ordering Information

LE 14 1S - W0601 - 100 - AR1 - 0 - XXX

Lead Screw Motor Type Code

Code	Structure Type
LE	External Nut - Lead screw Shaft

Frame Size Code

Code	Frame Size
14	35mm

Motor Body Length Code

Code	Motor Body Length Max(mm)	Step Angle (°)
1A	28	1.8
1S	27	
3S	35	

Lead Screw Type Code

Code	Nominal Diameter (mm)	Lead (mm)	Travel(mm)	
			Travel Per0.9°	Travel Per1.8°
W0601	6	1	0.0025	0.005
M0602		2	0.005	0.01
T6503	6.5	3	0.0075	0.015
T0801	8	1	0.0025	0.005
T08012		1.25	0.0031*	0.0063*
T0802		2	0.005	0.01
T0803		3	0.0075	0.015
T0804		4	0.01	0.02
T0805		5	0.0125	0.025
T0808		8	0.02	0.04
T0810		10	0.025	0.05
T0812		12	0.03	0.06
T0815		15	0.0375	0.075
T0830		30	0.075	0.15

Code	Nominal Diameter		Lead		Travel(mm)	
	inch	mm	inch	mm	Travel Per0.9°	Travel Per1.8°
E06008	0.25	6.35	0.031	0.79	0.0020*	0.0039*
E06016			0.063	1.60	0.0040	0.0080
E06032			0.125	3.18	0.0079*	0.0159*
E06063			0.25	6.35	0.0159*	0.0318*
E06085			0.333	8.46	0.0211*	0.0423*
E06127			0.5	12.70	0.0318	0.0635
E06254			1	25.40	0.0635	0.1270

The number with * is abbreviated.

Rated Current Code

XXX=X.XX(A)

Special Custom Type Code

Code	Custom Type
0	Non Special Custom
S	Lead Screw End Machining
E	Add Encoder
B	Add Brake
C	Other Special Custom Type

Nut Type Code

Code	Nut Type
AR1	Round Standard Nut
BR1	Round Anti-Backlash Nut
AT1	Triangular Standard Nut
BT1	Triangular Anti-Backlash Nut
CN	Custom Made Nut

Lx

###

Provided in 1 mm increments

Note: Choose the standard order models can get the sample quickly, please see P9 for standard models.

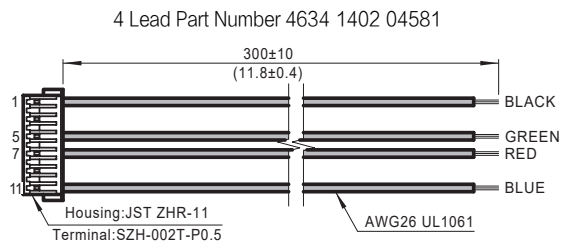
LE14 Series

LE14 Step Motor - 4 Lead Bi-Polar

Motor Type Code	Motor Body Length (mm)	Step Angle (°)	Electrical Connection	Rated Current (Amps)	Winding	
					Resistanc(Ohms) ±10%@20°C	Inductance(mH) Typ.
LE141A	28	1.8	Plug In Connector	0.6	10.6	12.6
LE141S	27			0.7	6.6	7.5
LE143S	35		Plug In Connector	1	3.1	3.7
				Plug In Connector	0.5	15.1
			Plug In Connector		0.75	6
				Plug In Connector	1	3.4
Plug In Connector	1.5	1.61	2.5			

Note: Recommended Driver, DC Input: SR2-Plus.

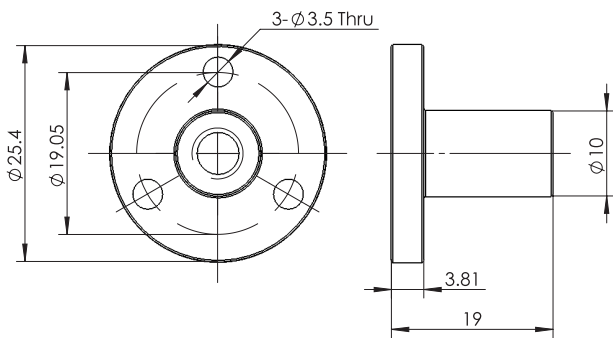
Mating Connector With Leads (order separately)



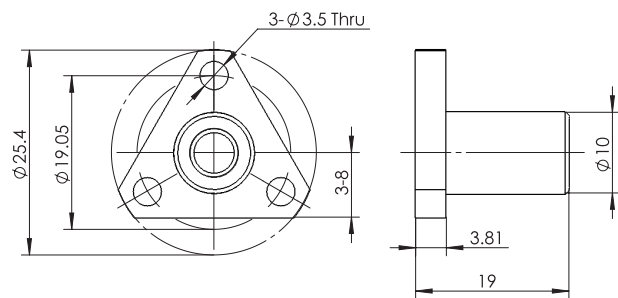
Nut Type

UNIT:mm

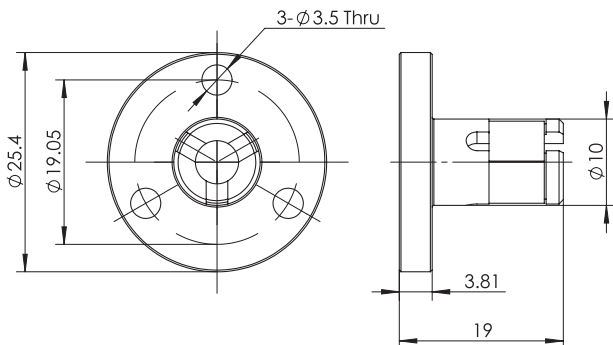
Round Standard Nut AR1



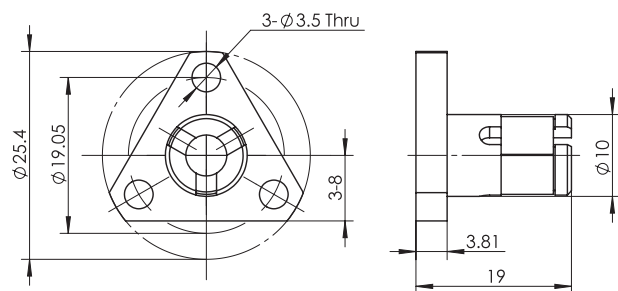
Triangular Standard Nut AT1



Round Anti-Backlash Nut BR1



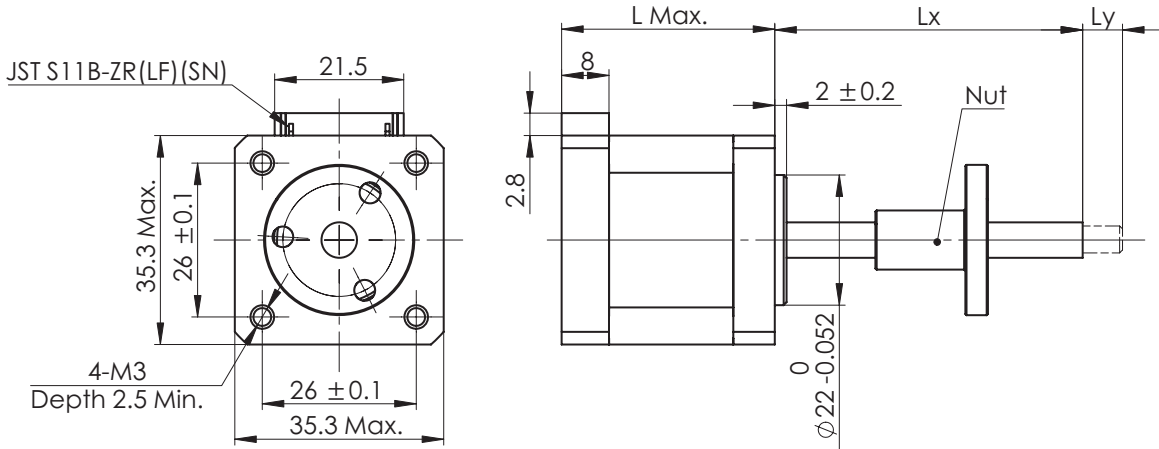
Triangular Anti-Backlash Nut BT1



LE14 Series

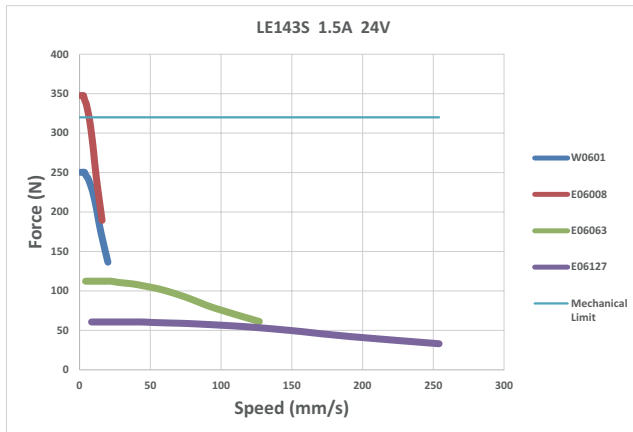
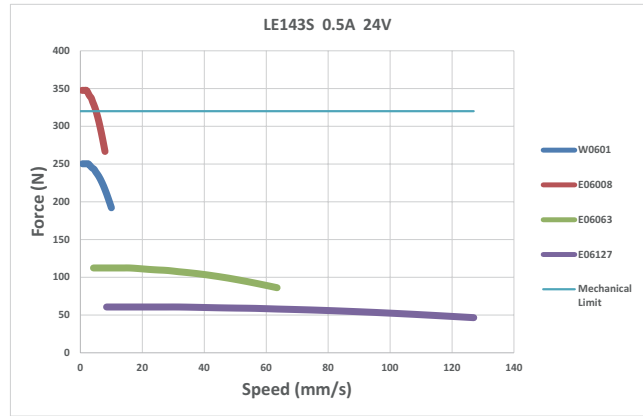
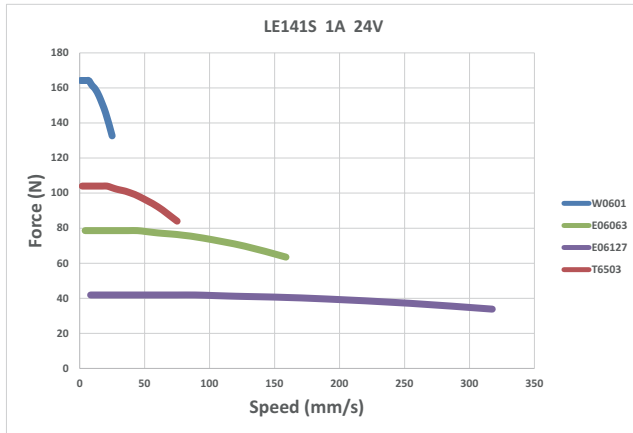
Dimensional Information

UNIT:mm



Motor Type	Dimension "L"
LE141A	28
LE141S	28
LE143S	36

Speed - Force Reference Curve



LE17 Series

Phases	2
Step Accuracy	±5%
IP Rating	40
Approvals	RoHS
Operating Temp.	-20°C~+50°C
Insulation Class	B(130°C)
Insulation Resistance	100MegOhms



Ordering Information

LE 17 2S - M0602 - 100 - AR1 - 0 - XXX

<p>Lead Screw Motor Type Code</p> <table border="1" style="width: 100%; border-collapse: collapse;"> <thead> <tr> <th>Code</th> <th>Structure Type</th> </tr> </thead> <tbody> <tr> <td>LE</td> <td>External Nut - Lead screw Shaft</td> </tr> </tbody> </table> <p>Frame Size Code</p> <table border="1" style="width: 100%; border-collapse: collapse;"> <thead> <tr> <th>Code</th> <th>Frame Size</th> </tr> </thead> <tbody> <tr> <td>17</td> <td>42mm</td> </tr> </tbody> </table> <p>Motor Body Length Code</p> <table border="1" style="width: 100%; border-collapse: collapse;"> <thead> <tr> <th>Code</th> <th>Motor Body Length Max(mm)</th> <th>Step Angle (°)</th> </tr> </thead> <tbody> <tr> <td>4A</td> <td>34</td> <td rowspan="4">1.8</td> </tr> <tr> <td>4S</td> <td>34</td> </tr> <tr> <td>2S</td> <td>40</td> </tr> <tr> <td>6S</td> <td>48</td> </tr> </tbody> </table> <p>Lead Screw Type Code</p> <table border="1" style="width: 100%; border-collapse: collapse;"> <thead> <tr> <th rowspan="2">Code</th> <th rowspan="2">Nominal Diameter (mm)</th> <th rowspan="2">Lead (mm)</th> <th colspan="2">Travel(mm)</th> </tr> <tr> <th>Travel Per0.9°</th> <th>Travel Per1.8°</th> </tr> </thead> <tbody> <tr><td>T0801</td><td rowspan="15">8</td><td>1</td><td>0.0025</td><td>0.005</td></tr> <tr><td>T08012</td><td>1.25</td><td>0.0031</td><td>0.0063</td></tr> <tr><td>T0802</td><td>2</td><td>0.005</td><td>0.01</td></tr> <tr><td>T0803</td><td>3</td><td>0.0075</td><td>0.015</td></tr> <tr><td>T0804</td><td>4</td><td>0.01</td><td>0.02</td></tr> <tr><td>T0805</td><td>5</td><td>0.0125</td><td>0.025</td></tr> <tr><td>T0808</td><td>8</td><td>0.02</td><td>0.04</td></tr> <tr><td>T0810</td><td>10</td><td>0.025</td><td>0.05</td></tr> <tr><td>T0812</td><td>12</td><td>0.03</td><td>0.06</td></tr> <tr><td>T0815</td><td>15</td><td>0.0375</td><td>0.075</td></tr> <tr><td>T0830</td><td>30</td><td>0.075</td><td>0.15</td></tr> <tr><td>M1001</td><td rowspan="5">10</td><td>1</td><td>0.0025</td><td>0.005</td></tr> <tr><td>M1002</td><td>2</td><td>0.005</td><td>0.01</td></tr> <tr><td>M1003</td><td>3</td><td>0.0075</td><td>0.015</td></tr> <tr><td>T10105</td><td>10.5</td><td>0.0263*</td><td>0.0525*</td></tr> <tr><td>T1015</td><td>15</td><td>0.0375</td><td>0.075</td></tr> </tbody> </table>	Code	Structure Type	LE	External Nut - Lead screw Shaft	Code	Frame Size	17	42mm	Code	Motor Body Length Max(mm)	Step Angle (°)	4A	34	1.8	4S	34	2S	40	6S	48	Code	Nominal Diameter (mm)	Lead (mm)	Travel(mm)		Travel Per0.9°	Travel Per1.8°	T0801	8	1	0.0025	0.005	T08012	1.25	0.0031	0.0063	T0802	2	0.005	0.01	T0803	3	0.0075	0.015	T0804	4	0.01	0.02	T0805	5	0.0125	0.025	T0808	8	0.02	0.04	T0810	10	0.025	0.05	T0812	12	0.03	0.06	T0815	15	0.0375	0.075	T0830	30	0.075	0.15	M1001	10	1	0.0025	0.005	M1002	2	0.005	0.01	M1003	3	0.0075	0.015	T10105	10.5	0.0263*	0.0525*	T1015	15	0.0375	0.075	<p>Rated Current Code</p> <p>XXX=X.XX(A)</p> <p>Special Custom Type Code</p> <table border="1" style="width: 100%; border-collapse: collapse;"> <thead> <tr> <th>Code</th> <th>Custom Type</th> </tr> </thead> <tbody> <tr> <td>0</td> <td>Non Special Custom</td> </tr> <tr> <td>S</td> <td>Lead Screw End Machining</td> </tr> <tr> <td>B</td> <td>Add Encoder</td> </tr> <tr> <td>E</td> <td>Add Brake</td> </tr> <tr> <td>C</td> <td>Other Special Custom Type</td> </tr> </tbody> </table> <p>Nut Type Code</p> <table border="1" style="width: 100%; border-collapse: collapse;"> <thead> <tr> <th>Code</th> <th>Nut Type</th> <th>Mating Lead Screw</th> </tr> </thead> <tbody> <tr> <td>AR1</td> <td>Round Standard Nut</td> <td></td> </tr> <tr> <td>BR1</td> <td>Round Anti-Backlash Nut</td> <td>E06008 E06085 E06015 E06127</td> </tr> <tr> <td>AT1</td> <td>Triangular Standard Nut</td> <td>E06032 E06127 E06063 E06254</td> </tr> <tr> <td>BT1</td> <td>Triangular Anti-Backlash Nut</td> <td></td> </tr> <tr> <td>AR2</td> <td>Round Standard Nut</td> <td></td> </tr> <tr> <td>BR2</td> <td>Round Anti-Backlash Nut</td> <td>E09025 M1001 E09050 M1002</td> </tr> <tr> <td>AT2</td> <td>Triangular Standard Nut</td> <td>E09102 M1003 E09254 T10105 T1015</td> </tr> <tr> <td>BT2</td> <td>Triangular Anti-Backlash Nut</td> <td></td> </tr> <tr> <td>AR3</td> <td>Round Standard Nut</td> <td></td> </tr> <tr> <td>BR3</td> <td>Round Anti-Backlash Nut</td> <td>T0801 T0808 T080125 T0810 T0802 T0812 T0803 T0815 T0804 T0830 T0805</td> </tr> <tr> <td>AT3</td> <td>Triangular Standard Nut</td> <td></td> </tr> <tr> <td>BT3</td> <td>Triangular Anti-Backlash Nut</td> <td></td> </tr> <tr> <td>CN</td> <td colspan="2">Custom Made Nut</td> </tr> </tbody> </table>	Code	Custom Type	0	Non Special Custom	S	Lead Screw End Machining	B	Add Encoder	E	Add Brake	C	Other Special Custom Type	Code	Nut Type	Mating Lead Screw	AR1	Round Standard Nut		BR1	Round Anti-Backlash Nut	E06008 E06085 E06015 E06127	AT1	Triangular Standard Nut	E06032 E06127 E06063 E06254	BT1	Triangular Anti-Backlash Nut		AR2	Round Standard Nut		BR2	Round Anti-Backlash Nut	E09025 M1001 E09050 M1002	AT2	Triangular Standard Nut	E09102 M1003 E09254 T10105 T1015	BT2	Triangular Anti-Backlash Nut		AR3	Round Standard Nut		BR3	Round Anti-Backlash Nut	T0801 T0808 T080125 T0810 T0802 T0812 T0803 T0815 T0804 T0830 T0805	AT3	Triangular Standard Nut		BT3	Triangular Anti-Backlash Nut		CN	Custom Made Nut	
Code	Structure Type																																																																																																																																																			
LE	External Nut - Lead screw Shaft																																																																																																																																																			
Code	Frame Size																																																																																																																																																			
17	42mm																																																																																																																																																			
Code	Motor Body Length Max(mm)	Step Angle (°)																																																																																																																																																		
4A	34	1.8																																																																																																																																																		
4S	34																																																																																																																																																			
2S	40																																																																																																																																																			
6S	48																																																																																																																																																			
Code	Nominal Diameter (mm)	Lead (mm)	Travel(mm)																																																																																																																																																	
			Travel Per0.9°	Travel Per1.8°																																																																																																																																																
T0801	8	1	0.0025	0.005																																																																																																																																																
T08012		1.25	0.0031	0.0063																																																																																																																																																
T0802		2	0.005	0.01																																																																																																																																																
T0803		3	0.0075	0.015																																																																																																																																																
T0804		4	0.01	0.02																																																																																																																																																
T0805		5	0.0125	0.025																																																																																																																																																
T0808		8	0.02	0.04																																																																																																																																																
T0810		10	0.025	0.05																																																																																																																																																
T0812		12	0.03	0.06																																																																																																																																																
T0815		15	0.0375	0.075																																																																																																																																																
T0830		30	0.075	0.15																																																																																																																																																
M1001		10	1	0.0025	0.005																																																																																																																																															
M1002			2	0.005	0.01																																																																																																																																															
M1003			3	0.0075	0.015																																																																																																																																															
T10105			10.5	0.0263*	0.0525*																																																																																																																																															
T1015	15		0.0375	0.075																																																																																																																																																
Code	Custom Type																																																																																																																																																			
0	Non Special Custom																																																																																																																																																			
S	Lead Screw End Machining																																																																																																																																																			
B	Add Encoder																																																																																																																																																			
E	Add Brake																																																																																																																																																			
C	Other Special Custom Type																																																																																																																																																			
Code	Nut Type	Mating Lead Screw																																																																																																																																																		
AR1	Round Standard Nut																																																																																																																																																			
BR1	Round Anti-Backlash Nut	E06008 E06085 E06015 E06127																																																																																																																																																		
AT1	Triangular Standard Nut	E06032 E06127 E06063 E06254																																																																																																																																																		
BT1	Triangular Anti-Backlash Nut																																																																																																																																																			
AR2	Round Standard Nut																																																																																																																																																			
BR2	Round Anti-Backlash Nut	E09025 M1001 E09050 M1002																																																																																																																																																		
AT2	Triangular Standard Nut	E09102 M1003 E09254 T10105 T1015																																																																																																																																																		
BT2	Triangular Anti-Backlash Nut																																																																																																																																																			
AR3	Round Standard Nut																																																																																																																																																			
BR3	Round Anti-Backlash Nut	T0801 T0808 T080125 T0810 T0802 T0812 T0803 T0815 T0804 T0830 T0805																																																																																																																																																		
AT3	Triangular Standard Nut																																																																																																																																																			
BT3	Triangular Anti-Backlash Nut																																																																																																																																																			
CN	Custom Made Nut																																																																																																																																																			

Code	Nominal Diameter (mm)	Lead (mm)	Travel(mm)		Code	Nominal Diameter (mm)	Lead (mm)	Travel(mm)					
			Travel Per0.9°	Travel Per1.8°				Travel Per0.9°	Travel Per1.8°				
T0801	8	1	0.0025	0.005	E06008	0.25	6.35	0.031	0.79	0.0020*	0.0039*		
T08012		1.25	0.0031	0.0063	E06016			0.063	1.60	0.0040	0.0080		
T0802		2	0.005	0.01	E06032			0.125	3.18	0.0079*	0.0159*		
T0803		3	0.0075	0.015	E06063			0.25	6.35	0.0159*	0.0318*		
T0804		4	0.01	0.02	E06085			0.333	8.46	0.0211*	0.0423*		
T0805		5	0.0125	0.025	E06127			0.5	12.70	0.0318	0.0635		
T0808		8	0.02	0.04	E06254			1	25.40	0.0635	0.1270		
T0810		10	0.025	0.05	E09025			0.1	2.54	0.0064	0.0127		
T0812		12	0.03	0.06	E09050			0.2	5.08	0.0127	0.0254		
T0815		15	0.0375	0.075	E09102			0.4	10.16	0.0254*	0.0508*		
T0830		30	0.075	0.15	E09254			0.382	9.70	1	25.40	0.0635	0.1270

The number with * is abbreviated.

Note: Choose the standard order models can get the sample quickly, please see P9 for standard models.

LE17 Series

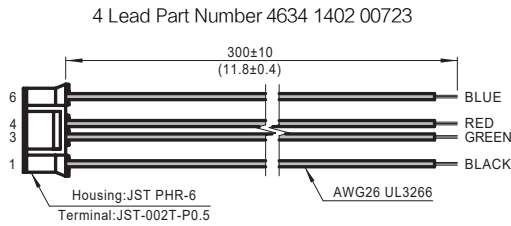
LE Series

LE17 Step Motor - 4 Lead Bi-Polar

Motor Type Code	Motor Body Length (mm)	Step Angle (°)	Electrical Connection	Rated Current (Amps)	Winding	
					Resistanc(Ohms) ±10%@20°C	Inductance(mH) Typ.
LE174A	34	1.8	Plug In Connector	0.7	5.4	14
				0.65	8.7	15.2
LE174S	34		Plug In Connector	1	4.2	7
				1.5	1.75	2.8
LE172S	40		Plug In Connector	1	3.9	10.8
				1.5	1.98	4.9
LE176S	48		Plug In Connector	2	1.04	2.5
				1	4.9	10.2
		1.5		2.1	4.3	
			2	1.25	2.8	

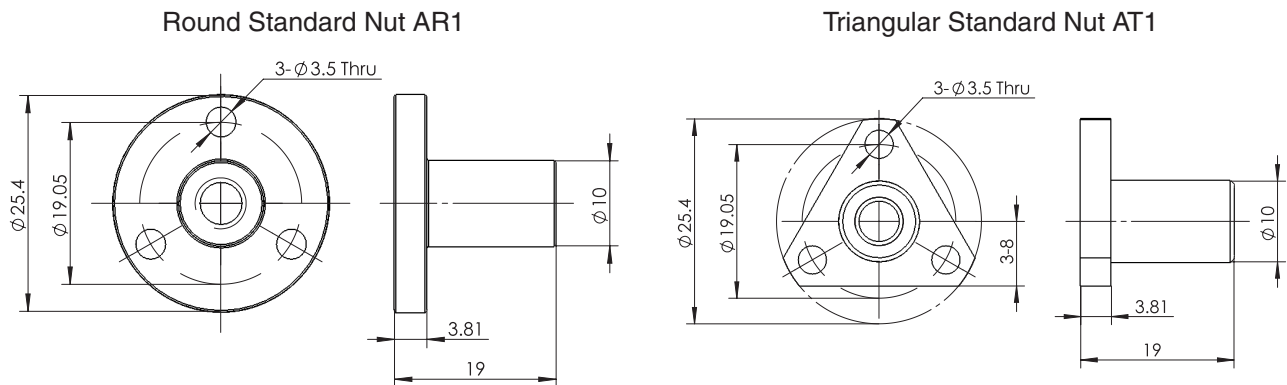
Note: Recommended Driver, DC Input: SR2-Plus, SR4-Plus.

Mating Connector With Leads (order separately)



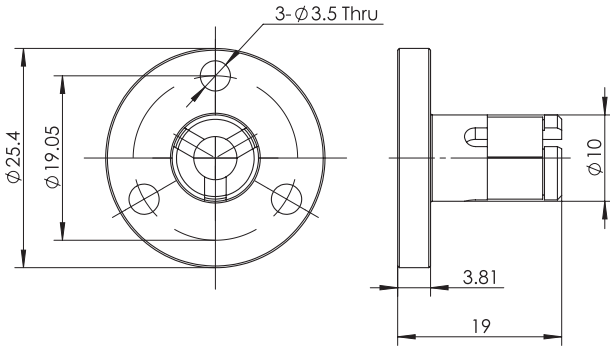
Nut Type

UNIT:mm

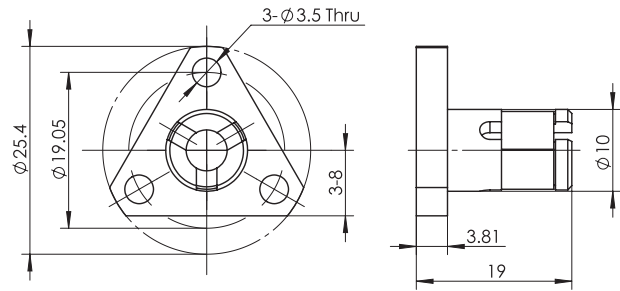


LE17 Series

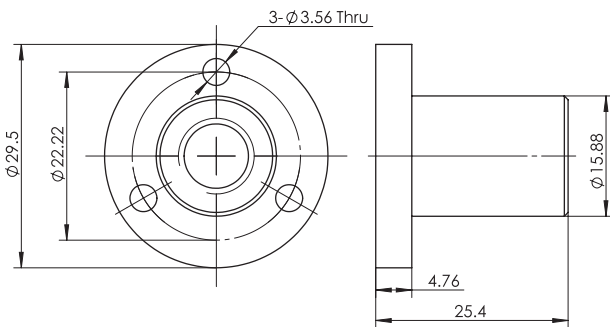
Round Anti-Backlash Nut BR1



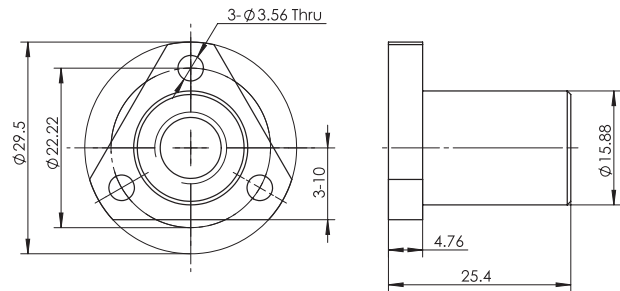
Triangular Anti-Backlash Nut BT1



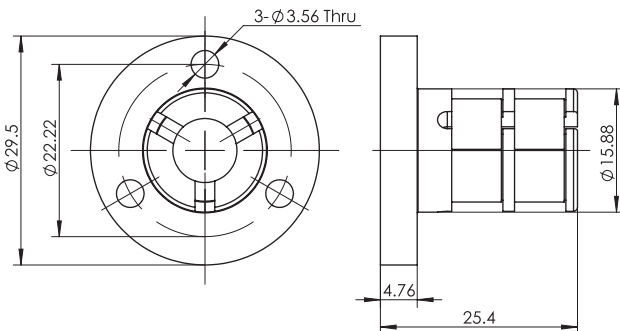
Round Standard Nut AR2



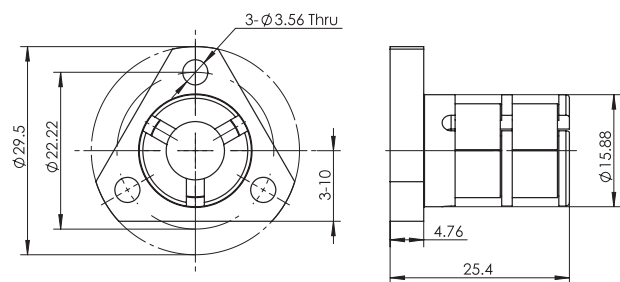
Triangular Standard Nut AT2



Round Anti-Backlash Nut BR2



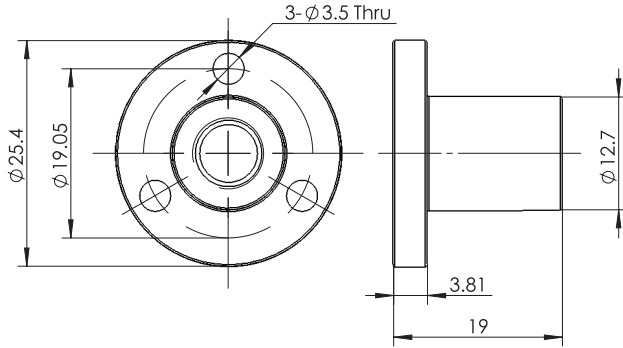
Triangular Anti-Backlash Nut BT2



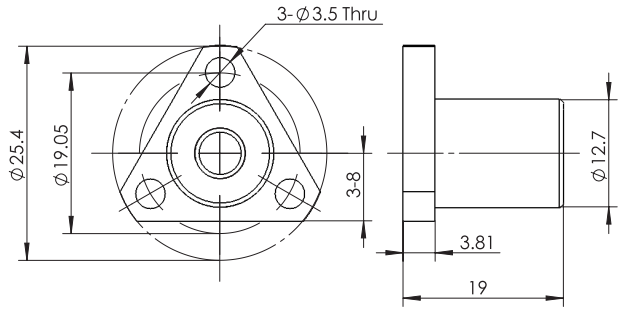
LE17 Series

LE Series

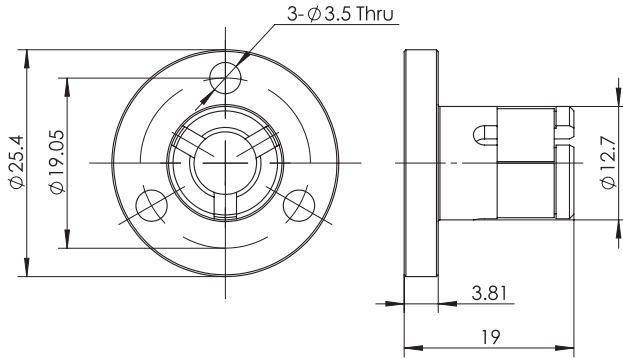
Round Standard Nut AR3



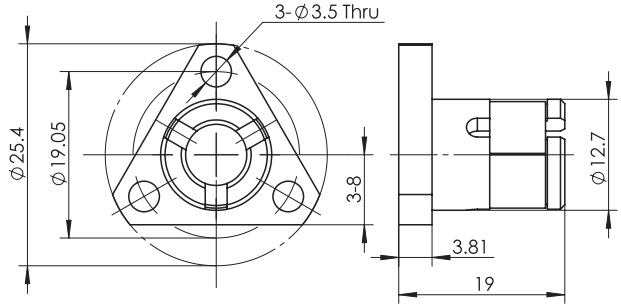
Triangular Standard Nut AT3



Round Anti-Backlash Nut BR3

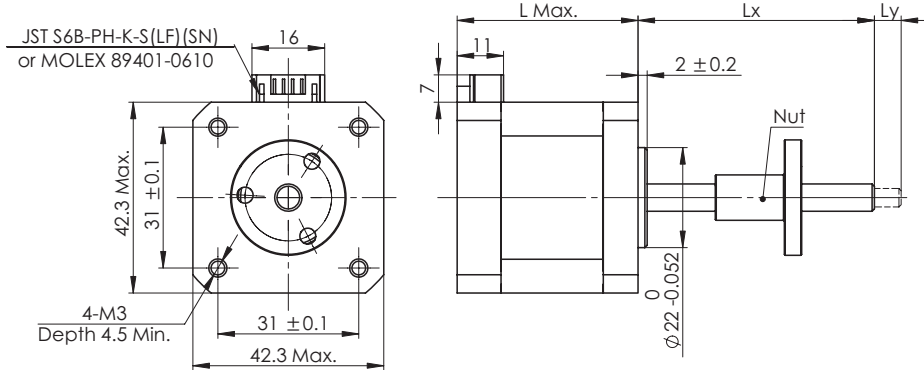


Triangular Anti-Backlash Nut BT3



Dimensional Information

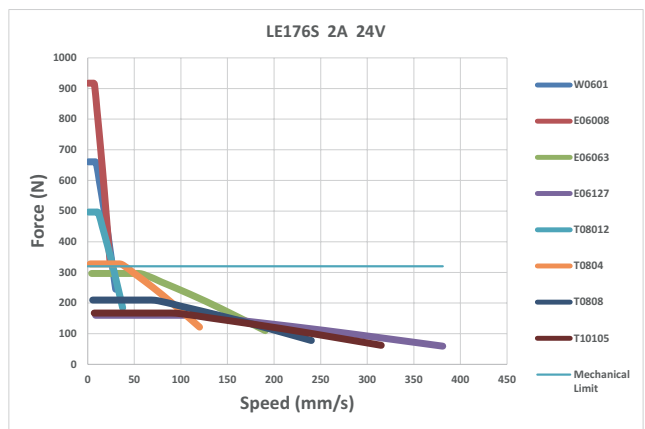
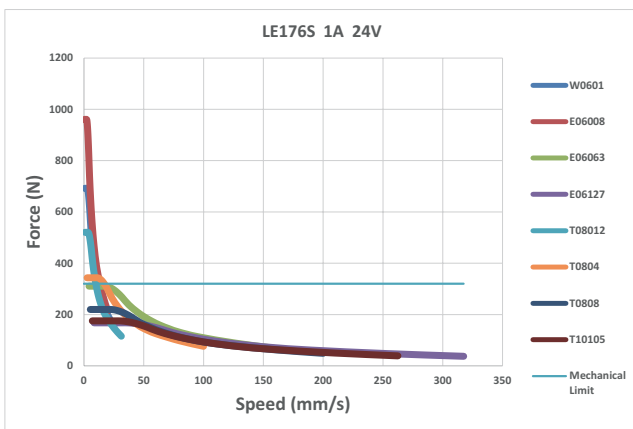
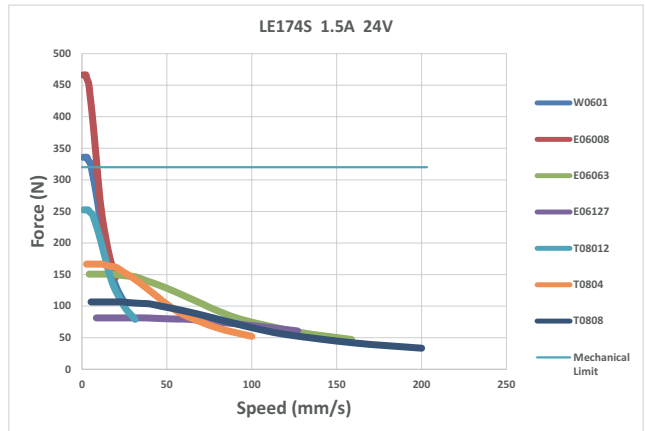
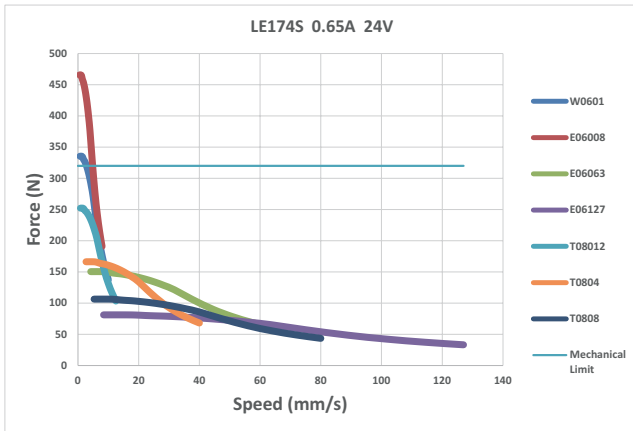
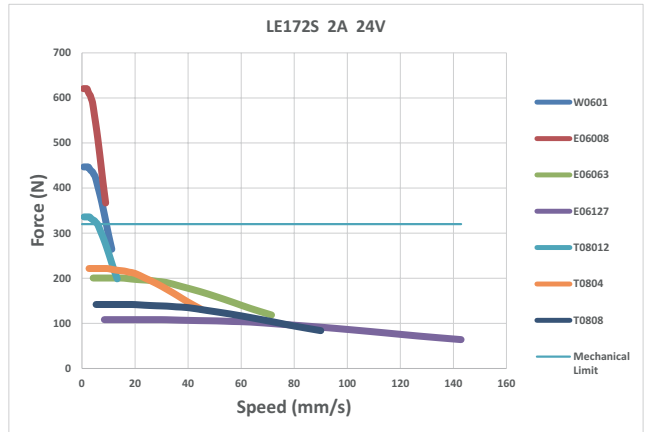
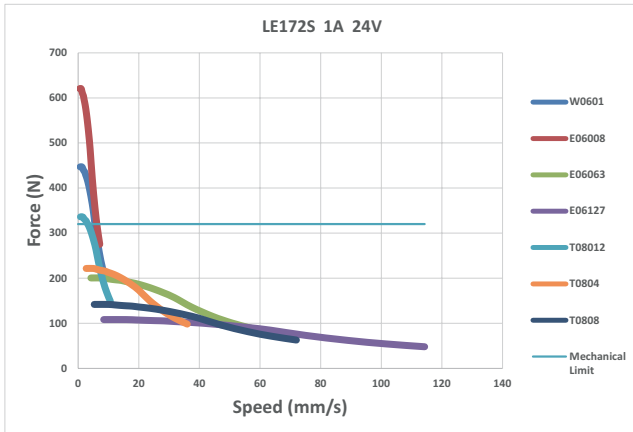
UNIT:mm



Motor Type	Dimension "L"
LE174A	34.3
LE174S	34.3
LE172S	39.8
LE176S	48.3

LE17 Series

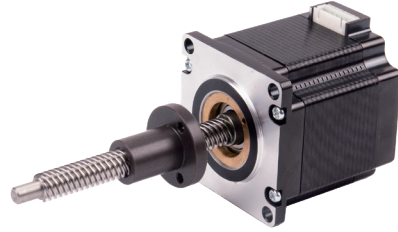
Speed - Force Reference Curve



LE Series

LE23 Series

Phases	2
Step Accuracy	±5%
IP Rating	40
Approvals	RoHS
Operating Temp.	-20°C~+50°C
Insulation Class	B(130°C)
Insulation Resistance	100MegOhms



Ordering Information

LE 23 8S - M1001 - 100 - AR2 - 0 - XXX

Lead Screw Motor Type Code

Code	Structure Type
LE	External Nut - Lead screw Shaft

Frame Size Code

Code	Frame Size
23	57mm

Motor Body Length Code

Code	Motor Body Length Max(mm)	Step Angle (°)
4S	45	1.8
8S	57	
AS	79	
ASP (Power Plus)	79	

Lead Screw Type Code

Code	Nominal Diameter (mm)	Lead (mm)	Travel(mm)	
			Travel Per 1.8°	
M1001	10	1	0.005	
M1002		2	0.01	
M1003		3	0.015	
T10105		10.5	0.0525*	
T1015		15	0.075	
T1202	12	2	0.01	
T1206		6	0.03	
T1404		4	0.02	

Code	Nominal Diameter		Lead		Travel(mm)	
	inch	mm	inch	mm	Travel Per 1.8°	
E09025	0.375	9.53	0.1	2.54	0.0127	
E09050			0.2	5.08	0.0254	
E09102			0.4	10.16	0.0508*	
E09254	0.382	9.70	1	25.40	0.127	
E12254	0.472	11.99	1	25.40	0.127	

The number with * is abbreviated.

Rated Current Code

XXX=X.XX(A)

Special Custom Type Code

Code	Custom Type
0	Non Special Custom
S	Lead Screw End Machining
E	Add Encoder
B	Add Brake
C	Other Special Custom Type

Nut Type Code

Code	Nut Type	Mating Lead Screw	
AR2	Round Standard Nut	E09025 E09050 E09102 E09254	M1001 M1002 M1003 T10105 T1015
BR2	Round Anti-Backlash Nut		T1202 T1206 T1404 E12254
AT2	Triangular Standard Nut		
BT2	Triangular Anti-Backlash Nut		
AR6	Round Standard Nut	CN	
BR4	Round Anti-Backlash Nut		
AT6	Triangular Standard Nut		
BT4	Triangular Anti-Backlash Nut		

Lx

Provided in 1 mm increments

Note: Choose the standard order models can get the sample quickly, please see P9 for standard models.

LE23 Series

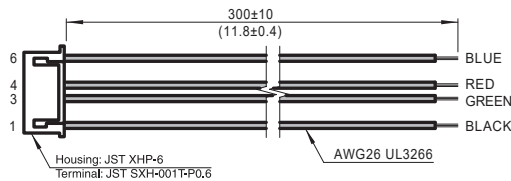
LE23 Selection Of Standard Models

Motor Type Code	Motor Body Length (mm)	Step Angle (°)	Electrical Connection	Rated Current (Amps)	Winding	
					Resistanc(Ohms) ±10%@20°C	Inductance(mH) Typ.
LE234S	45	1.8	Plug In Connector	1.5	2.9	7.5
				2.1	1.6	3.9
LE238S	57		Plug In Connector	1.5	3.9	15
				2.2	1.6	7.2
LE23AS	79		Plug In Connector	1.5	4.3	18.5
LE23ASP (Power Plus)	79			Plug In Connector	3	1.1
		3	1.1		3.7	

Note: Recommended Driver, DC Input: SR8-Plus.

Mating Connector With Leads (order separately)

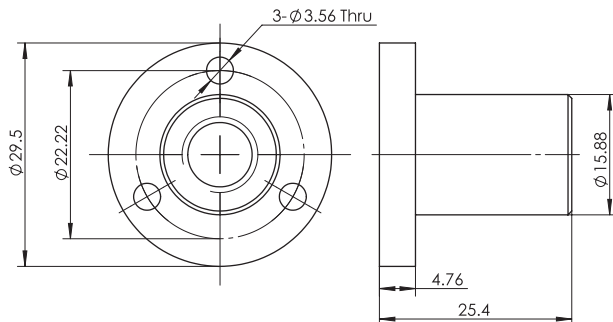
4 Lead Part Number 4634 1402 01891



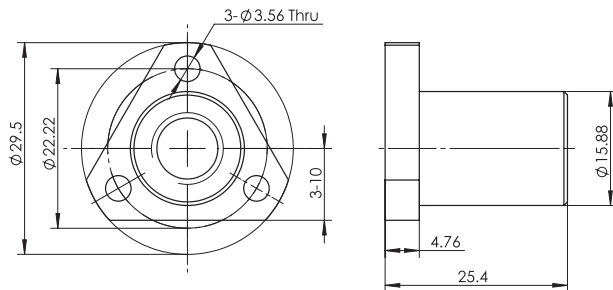
Nut Type

UNIT:mm

Round Standard Nut AR2



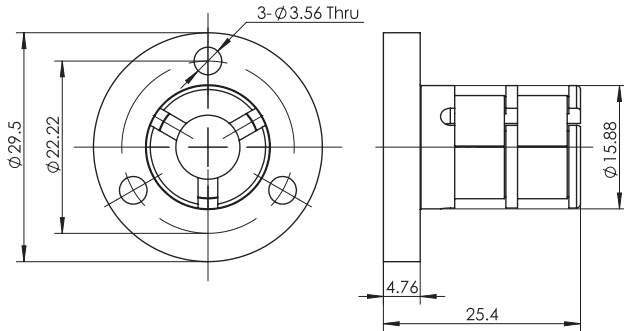
Triangular Standard Nut AT2



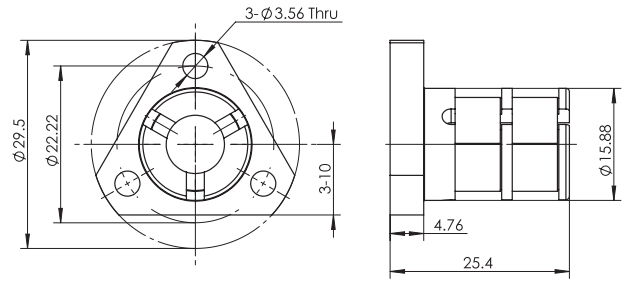
LE23 Series

LE Series

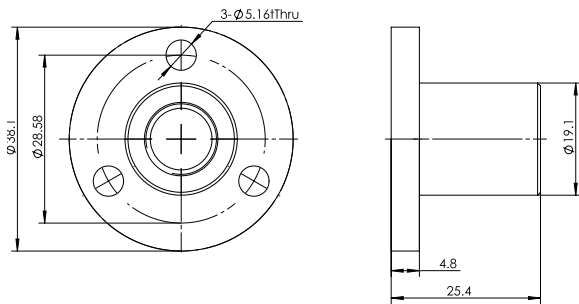
Round Anti-Backlash Nut BR2



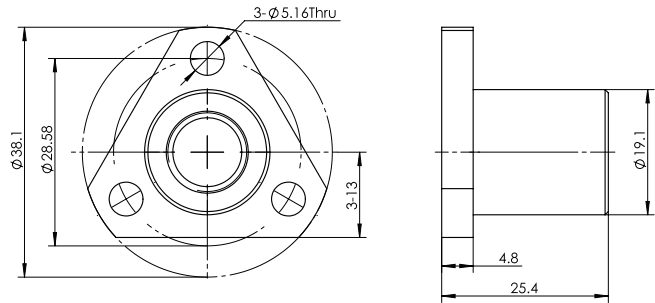
Triangular Anti-Backlash Nut BT2



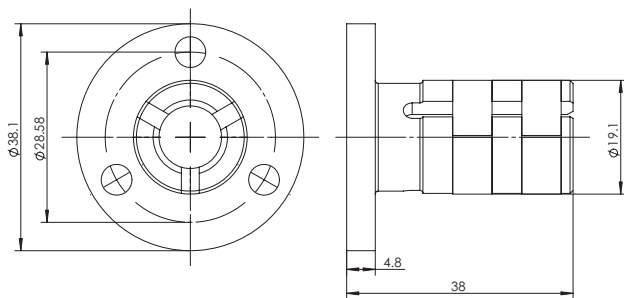
Round Standard Nut AR6



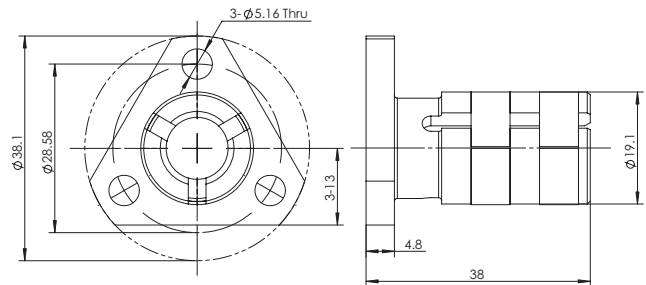
Triangular Standard Nut AT6



Round Anti-Backlash Nut BR4



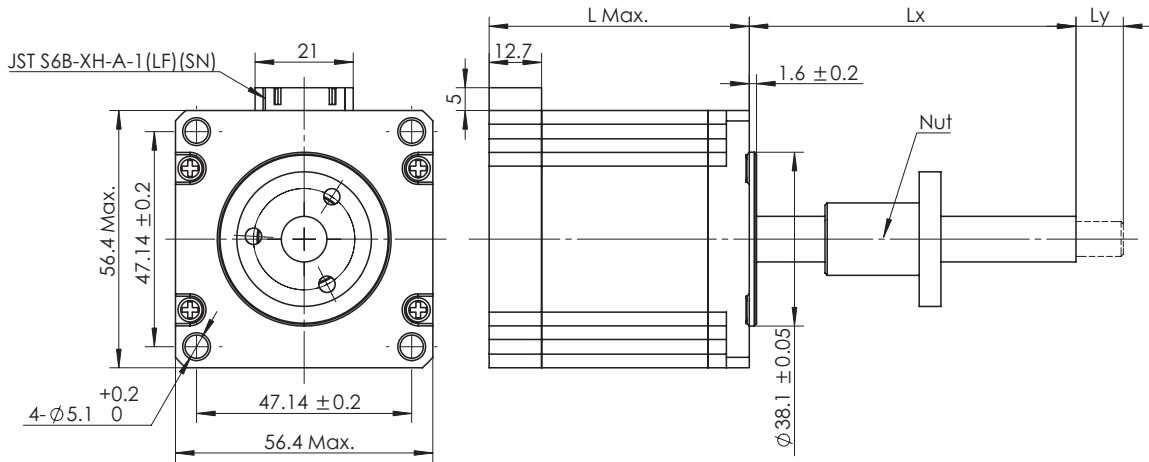
Triangular Anti-Backlash Nut BT4



LE23 Series

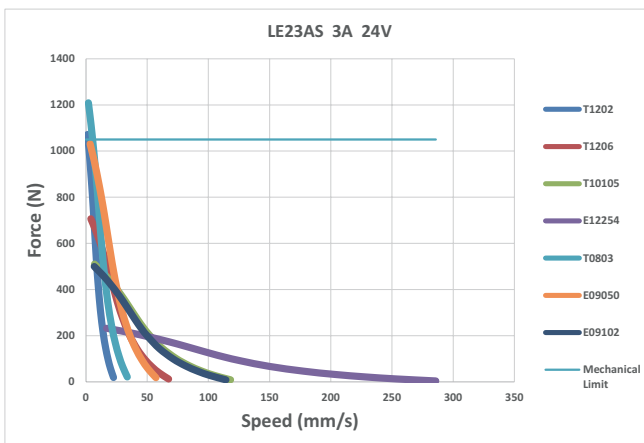
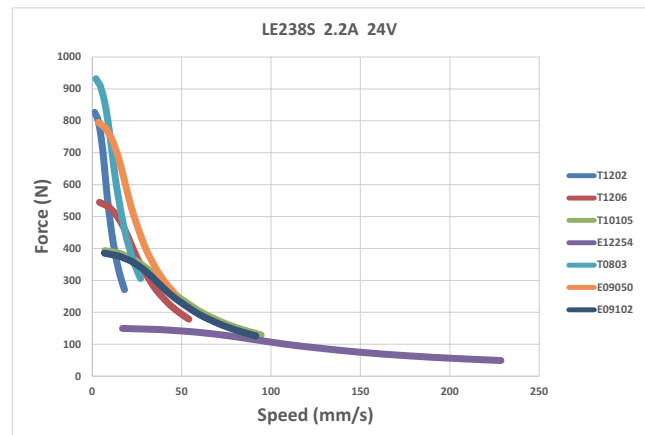
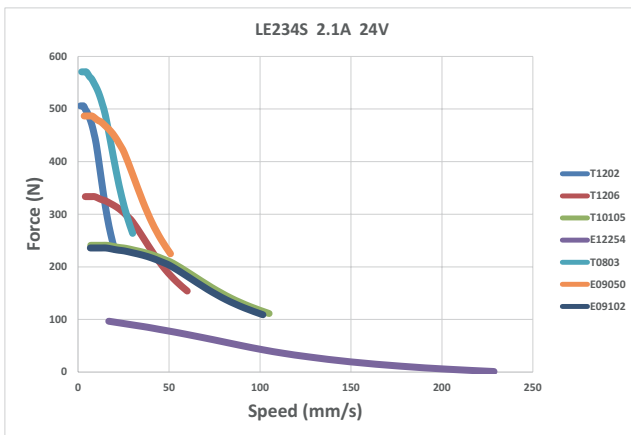
Dimensional Information

UNIT:mm



Motor Type	Dimension "L"	Note
LE238S	57	Standard
LE23AS	79	Standard
LE23ASP	79	Power Plus

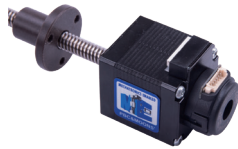
Speed - Force Reference Curve



Encoder Options-Suitable for applications that require feedback

Parameter

Mating Motor	Supply Voltage (VDC)			CPR	PPR	Operating Temperature(°C)		Vibration (g) (5HZ-2KHZ) Max.	Output	
	Min.	Typ.	Max.			Low	High			
LE08/11	4.5	5	5.5	400	1600	-20	100	20	Single-ended Electrical	Differential Electrical
LE14/17/23				1000	4000	-40	100			



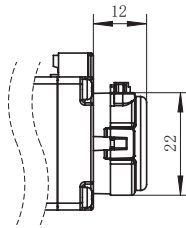
LE11 with encoder



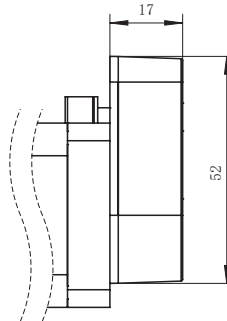
LE17 with encoder

Dimensional Information

Unit: mm



The encoder mating LE08/11

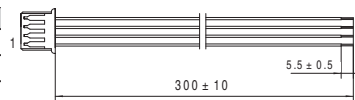


The encoder mating LE14/17/23

Mating Connector With Leads

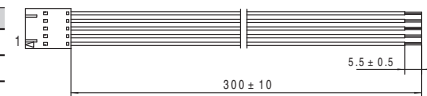
Single-ended Electrical

Pin	Function	Color
1	+5VDC Power	Black
2	A Channel	Green
3	Ground	Red
4	B Channel	Blud



For the encoder mating LE08/11

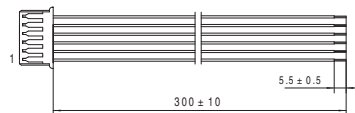
Pin	Function	Color
1	Ground	Black
2	Index	Green
3	A Channel	Red
4	+5VDC Power	Blud
5	B Channel	Yellow



For the encoder mating LE14/17/23

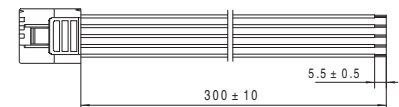
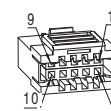
Differential Electrical

Pin	Function	Color
1	Ground	Black
2	A+Channel	Green
3	A- Channel	Red
4	Power	Blud
5	B+Channel	Yellow
6	B- Channel	White



For the encoder mating LE08/11

Pin	Function	Color
1	-	-
2	Ground	Black
3	I- Channel	Green
4	I+Channel	Red
5	A- Channel	Blud
6	A+Channel	Yellow
7	Power	White
8	-	-
9	B- Channel	Orange
10	B+Channel	Brown



For the encoder mating LE14/17/23

Brake Options

Parameter

Mating Motor	Supply Voltage (VDC)	Braking Torque (N·M)	Power (W)	Reaction Time (ms)	Insulation Grade
LE11/14	24	0.4	4	15	B
LE17	24	0.6	5	50	B
LE23	24	1.2	4.5	50	B

Note:

1. All the brakes with 300mm leads.
2. 12 VDC brake options are available, please consult our technical department for further information.



LE11 with brake



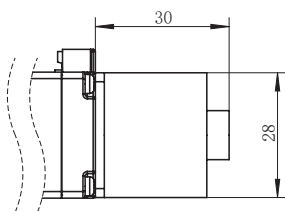
LE17 with brake



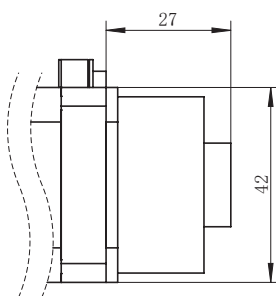
LE23 with brake

Dimensional Information

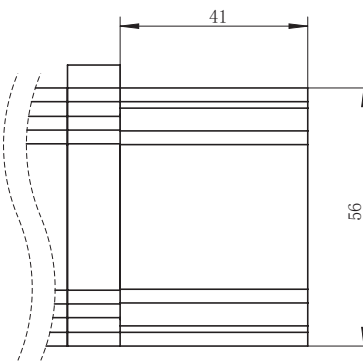
Unit: mm



The brake mating LE11/14



The brake mating LE17



The brake mating LE23

LE Series

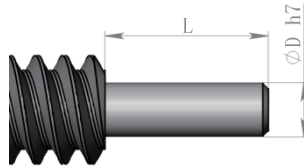
Optional Construction & Modifications

MOONS' often modifies linear actuators to meet application needs. Typical changes include:

- Leadscrews: lengths, end machining and so on.
- Nuts: basic style, materials, lengths, mounting and so on.

To help our customers design efforts, standardized leadscrew features are available.

■ Lead screw End Machining



NO.	Lead Screw Nominal Diameter (mm)	Dimension	
		D(mm)	L(mm)
1	3.505	2.5	2.5
2	4.76	2.5	2.5
3	5.54	4	5
4	6	4	5
5	6.35	4	5
6	6.5	4	5
7	8	6	6
8	9.53	6	6
9	10	6	6
10	12	8	8

LN/LNSM : Non-captive Type

A lead-screw nut is integrated into the motor rotor, and the lead screw passes through the center of the motor. As the motor rotates it moves linearly along the lead screw. The lead-screw can be completely unscrewed from the motor, and can be any length. The motor can be fixed so that the screw moves in out of the motor, or the lead-screw can be fixed so that the motor moves along the lead screw. In addition, the unique LNSM series can be compatible with clearance nut and more screw options.

- Five frame sizes: NEMA08/11/14/17/23
- Multiple motor lengths and motor sizes
- Each motor size has a rich range of lead screws
- Standard nut or anti-backlash nut options

This series of products has a variety of motors, lead screws and nuts optional collocation, to provide customers with more suitable for the application needs, more stable, reliable linear motion solution.



LN/LNSM Series

■ Numbering System

LN 174S - E06008 - 100 - S - XXX

① ② ③ ④ ⑤ ⑥

Series Motor type Lead screw type Screw length Customized Code Rated Current
(mm) S=Screw End Machining XXX=X.XX(A)

LNSM 174S - E06008 - 100 - BR - S - XXX

① ② ③ ④ ⑤ ⑥ ⑦

Series Motor type Lead screw type Screw length Nut type Customized Code Rated Current
(mm) BR=Anti-backlash Nut S=Screw End Machining XXX=X.XX(A)

LN/LNSM Series Configuration Table (Metric Screw)

LN/LNSM Series

Nominal Diameter (mm)	Lead (mm)	Lead Screw Code	Motor Options														
			LN081S	LN143S	LN143S	LN174S	LN174S	LN174S	LN172S	LN172S	LN176S	LN176S	LN234S	LN234S	LN238S	LN238S	LN23AS
3.5	1	M3501	⊙	-	-	-	-	-	-	-	-	-	-	-	-	-	-
	1	W0601	-	⊙	⊙	-	-	-	⊙	-	-	-	-	-	-	-	-
6	2	M0602	-	⊙	⊙	-	-	-	⊙	-	-	-	-	-	-	-	-
	3	T6503	-	⊙	⊙	-	-	-	⊙	-	-	-	-	-	-	-	-
6.5	1	T0801	-	-	-	-	-	-	-	-	-	-	-	-	⊙	-	⊙
	1.25	T08012	-	-	-	-	-	-	-	-	-	-	-	-	⊙	-	⊙
8	2	T0802	-	-	-	-	-	-	-	-	-	-	-	-	⊙	-	⊙
	3	T0803	-	-	-	-	-	-	-	-	-	-	-	-	⊙	-	⊙
8	4	T0804	-	-	-	-	-	-	-	-	-	-	-	-	⊙	-	⊙
	5	T0805	-	-	-	-	-	-	-	-	-	-	-	-	⊙	-	⊙
8	8	T0808	-	-	-	-	-	-	-	-	-	-	-	-	⊙	-	⊙
	10	T0810	-	-	-	-	-	-	-	-	-	-	-	-	⊙	-	⊙
8	12	T0812	-	-	-	-	-	-	-	-	-	-	-	-	⊙	-	⊙
	15	T0815	-	-	-	-	-	-	-	-	-	-	-	-	⊙	-	⊙
8	30	T0830	-	-	-	-	-	-	-	-	-	-	-	-	⊙	-	⊙
	1	M1001	-	-	-	-	-	-	-	-	-	-	-	-	⊙	-	⊙
10	2	M1002	-	-	-	-	-	-	-	-	-	-	-	-	⊙	-	⊙
	3	M1003	-	-	-	-	-	-	-	-	-	-	-	-	⊙	-	⊙
10	10.5	T10105	-	-	-	-	-	-	-	-	-	-	-	-	⊙	-	⊙
	15	T1015	-	-	-	-	-	-	-	-	-	-	-	-	⊙	-	⊙

Note: 1. Marked with "⊙" was recommend matches, for more matches please contact with MOONS'.
2. The table shown is standard leadscrew options, for PTFE Coating screw please contact with MOONS'.

LN/LNSM Series Configuration Table (Inch Screw)

Nominal Diameter	Lead		Lead Screw Code	Motor Options																	
	inch	mm		LN081S	LN111S	LNSM 111S	LNSM 113S	LN143S	LNSM 143S	LN174S	LNSM 174S	LN172S	LNSM 172S	LN176S	LNSM 176S	LN234S	LNSM 234S	LN238S	LNSM 238S	LN23AS	
0.138	3.51	0.024	0.61	⊙	-	-	-	-	-	-	-	-	-	-	-	-	-	-	-	-	
		0.048	1.22	⊙	-	-	-	-	-	-	-	-	-	-	-	-	-	-	-	-	-
		0.096	2.44	⊙	-	-	-	-	-	-	-	-	-	-	-	-	-	-	-	-	-
0.188	4.78	0.025	0.64	-	⊙	-	-	-	-	-	-	-	-	-	-	-	-	-	-	-	-
		0.05	1.27	-	⊙	-	-	-	-	-	-	-	-	-	-	-	-	-	-	-	-
		0.1	2.54	-	⊙	-	-	-	-	-	-	-	-	-	-	-	-	-	-	-	-
0.218	5.54	0.024	0.61	-	-	-	-	⊙	-	⊙	-	-	-	-	-	-	-	-	-	-	-
		0.048	1.22	-	-	-	-	⊙	-	⊙	-	-	-	-	-	-	-	-	-	-	-
		0.192	4.88	-	-	-	-	⊙	-	⊙	-	-	-	-	-	-	-	-	-	-	-
0.25	6.35	0.031	0.79	-	-	-	-	⊙	-	⊙	-	-	-	-	-	-	-	-	-	-	-
		0.063	1.60	-	-	-	-	⊙	-	⊙	-	-	-	-	-	-	-	-	-	-	-
		0.125	3.18	-	-	-	-	⊙	-	⊙	-	-	-	-	-	-	-	-	-	-	-
0.375	9.53	0.25	6.35	-	-	-	-	⊙	-	⊙	-	-	-	-	-	-	-	-	-	-	-
		0.333	8.46	-	-	-	-	⊙	-	⊙	-	-	-	-	-	-	-	-	-	-	-
		0.5	12.70	-	-	-	-	⊙	-	⊙	-	-	-	-	-	-	-	-	-	-	-
0.382	9.70	1	25.40	-	-	-	-	⊙	-	⊙	-	-	-	-	-	-	-	-	-	-	-
		0.1	2.54	-	-	-	-	-	-	-	-	-	-	-	-	-	-	-	-	-	-
		0.2	5.08	-	-	-	-	-	-	-	-	-	-	-	-	-	-	-	-	-	-
0.382	9.70	0.4	10.16	-	-	-	-	-	-	-	-	-	-	-	-	-	-	-	-	-	-
		1	25.40	-	-	-	-	-	-	-	-	-	-	-	-	-	-	-	-	-	-
		0.382	9.70	-	-	-	-	-	-	-	-	-	-	-	-	-	-	-	-	-	-

Note: 1. Marked with "⊙" was recommend matches, for more matches please contact with MOONS'.
2. The table shown is standard leadscrew options, for PTFE Coating screw please contact with MOONS'.

LN/LNSM Series

LN Series Standard Models for stock

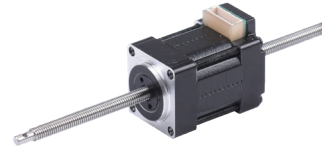
Size (mm)	Motor Series	Lead Screw Options	Screw Length Options	End Machining Code	Rated Current Options	Page
20X20	LN081S	- E03006	70, 80, 90, 100, 110, 125	- S	050	P36
	LN081S	- E03024		- S		
28X28	LN111S	- E04006	70, 80, 90, 100, 110, 125, 150, 180	- S	050,067,100	P38
	LN111S	- E04025		- S		
35X35	LN143S	- W0601	70, 80, 100, 125, 150	- S	050,100,150	P41
	LN143S	- E06008		- S		
	LN143S	- E06063		- S		
	LN143S	- E06127		- S		
42X42	LN174S	- W0601	80, 90, 100, 110, 125, 155, 170, 180, 210, 250, 300	- S	065,100,150	P44
	LN174S	- E06008		- S		
	LN174S	- E06063		- S		
	LN174S	- E06127		- S		
	LN172S	- W0601	80, 90, 100, 110, 125, 155, 170, 180, 210, 250, 300	- S	100,150,200	
	LN172S	- E06008		- S		
	LN172S	- E06063		- S		
	LN172S	- E06127		- S		
	LN176S	- W0601	80, 90, 100, 110, 125, 155, 170, 180, 210, 250, 300	- S	100,200	
	LN176S	- E06008		- S		
	LN176S	- E06063		- S		
	LN176S	- E06127		- S		
57X57	LN234S	- T0803	100, 155, 180, 210, 250, 300, 350,400	- S	150,210	P48
	LN234S	- E09050		- S		
	LN234S	- E09102		- S		
	LN238S	- T0803	100, 155, 180, 210, 250, 300, 350,400	- S	220	
	LN238S	- E09050		- S		
	LN238S	- E09102		- S		
	LN23AS	- T0803	100, 155,180, 210, 250, 300, 350,400	- S	300	
	LN23AS	- E09050		- S		
LN23AS	- E09102	- S				

LNLNSM Series

Order sample	① Select configuration codes					
	Motor Series	Lead Screw Options	Screw Length Options	End Machining Code	Rated Current Options	
	LN111S	E04006	70, 80, 90, 100, 110, 125, 150, 180	S	050, 067, 100	
	② Determine the order Models					
	LN111S - E04006 - 100 - S - 067					
In addition to the standard number, also provides a wealth of customized configuration options, for more information please contact the factory.						

LN08 Series

Phases	2
Step Accuracy	±5%
IP Rating	40
Approvals	RoHS
Operating Temp.	-20°C~+50°C
Insulation Class	B(130°C)
Insulation Resistance	100MegOhms



Ordering Information

LN 08 1S - E03006 - 100 - S - XXX

<p>Lead Screw Motor Type Code</p> <table border="1" style="width: 100%; border-collapse: collapse;"> <thead> <tr> <th style="width: 30%;">Code</th> <th>Structure Type</th> </tr> </thead> <tbody> <tr> <td>LN</td> <td>Non-captive Shaft</td> </tr> </tbody> </table> <p>Frame Size Code</p> <table border="1" style="width: 100%; border-collapse: collapse;"> <thead> <tr> <th style="width: 30%;">Code</th> <th>Frame Size</th> </tr> </thead> <tbody> <tr> <td>08</td> <td>20mm</td> </tr> </tbody> </table> <p>Lead Screw Type Code</p> <table border="1" style="width: 100%; border-collapse: collapse;"> <thead> <tr> <th style="width: 20%;">Code</th> <th style="width: 30%;">Motor Body Length Max(mm)</th> <th style="width: 20%;">Step Angle (°)</th> </tr> </thead> <tbody> <tr> <td>1S</td> <td>30</td> <td>1.8</td> </tr> </tbody> </table> <p>Lead Screw Type Code</p> <table border="1" style="width: 100%; border-collapse: collapse;"> <thead> <tr> <th rowspan="2">Code</th> <th colspan="2">Nominal Diameter (mm)</th> <th colspan="2">Lead (mm)</th> <th>Travel(mm)</th> </tr> <tr> <th colspan="2"></th> <th colspan="2"></th> <th>Travel Per1.8°</th> </tr> </thead> <tbody> <tr> <td>M3501</td> <td colspan="2">3.5</td> <td colspan="2">1</td> <td>0.005</td> </tr> </tbody> </table> <table border="1" style="width: 100%; border-collapse: collapse;"> <thead> <tr> <th rowspan="2">Code</th> <th colspan="2">Nominal Diameter</th> <th colspan="2">Lead</th> <th>Travel(mm)</th> </tr> <tr> <th>inch</th> <th>mm</th> <th>inch</th> <th>mm</th> <th>Travel Per1.8°</th> </tr> </thead> <tbody> <tr> <td>E03006</td> <td rowspan="3">0.138</td> <td rowspan="3">3.51</td> <td>0.024</td> <td>0.61</td> <td>0.0030*</td> </tr> <tr> <td>E03012</td> <td>0.048</td> <td>1.22</td> <td>0.0061*</td> </tr> <tr> <td>E03024</td> <td>0.096</td> <td>2.44</td> <td>0.0122*</td> </tr> </tbody> </table>	Code	Structure Type	LN	Non-captive Shaft	Code	Frame Size	08	20mm	Code	Motor Body Length Max(mm)	Step Angle (°)	1S	30	1.8	Code	Nominal Diameter (mm)		Lead (mm)		Travel(mm)					Travel Per1.8°	M3501	3.5		1		0.005	Code	Nominal Diameter		Lead		Travel(mm)	inch	mm	inch	mm	Travel Per1.8°	E03006	0.138	3.51	0.024	0.61	0.0030*	E03012	0.048	1.22	0.0061*	E03024	0.096	2.44	0.0122*	<p>Rated Current Code</p> <p>XXX=X.XX(A)</p> <p>Special Custom Type Code</p> <table border="1" style="width: 100%; border-collapse: collapse;"> <thead> <tr> <th style="width: 30%;">Code</th> <th>Custom Type</th> </tr> </thead> <tbody> <tr> <td>0</td> <td>Non Special Custom</td> </tr> <tr> <td>S</td> <td>Lead Screw End Machining</td> </tr> <tr> <td>C</td> <td>Other Special Custom Type</td> </tr> </tbody> </table> <p style="text-align: right;">Lx</p> <table border="1" style="width: 100%; border-collapse: collapse;"> <thead> <tr> <th style="width: 30%;">###</th> <th>Provided in 1 mm increments</th> </tr> </thead> <tbody> <tr> <td> </td> <td> </td> </tr> </tbody> </table>	Code	Custom Type	0	Non Special Custom	S	Lead Screw End Machining	C	Other Special Custom Type	###	Provided in 1 mm increments		
Code	Structure Type																																																																				
LN	Non-captive Shaft																																																																				
Code	Frame Size																																																																				
08	20mm																																																																				
Code	Motor Body Length Max(mm)	Step Angle (°)																																																																			
1S	30	1.8																																																																			
Code	Nominal Diameter (mm)		Lead (mm)		Travel(mm)																																																																
					Travel Per1.8°																																																																
M3501	3.5		1		0.005																																																																
Code	Nominal Diameter		Lead		Travel(mm)																																																																
	inch	mm	inch	mm	Travel Per1.8°																																																																
E03006	0.138	3.51	0.024	0.61	0.0030*																																																																
E03012			0.048	1.22	0.0061*																																																																
E03024			0.096	2.44	0.0122*																																																																
Code	Custom Type																																																																				
0	Non Special Custom																																																																				
S	Lead Screw End Machining																																																																				
C	Other Special Custom Type																																																																				
###	Provided in 1 mm increments																																																																				

The number with * is abbreviated.

Note: Choose the standard order models can get the sample quickly, please see P35 for standard models.

LN/LNSM Series

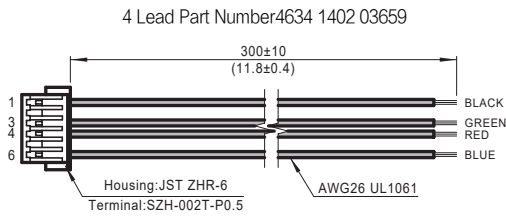
LN08 Series

LN08 Step Motor - 4 Lead Bi-Polar

Motor Type Code	Motor Body Length (mm)	Step Angle (°)	Electrical Connection	Rated Current (Amps)	Winding	
					Resistanc(Ohms) ±10%@20°C	Inductance(mH) Typ.
LN081S	30	1.8	Plug In Connector	0.5	8.6	6.5

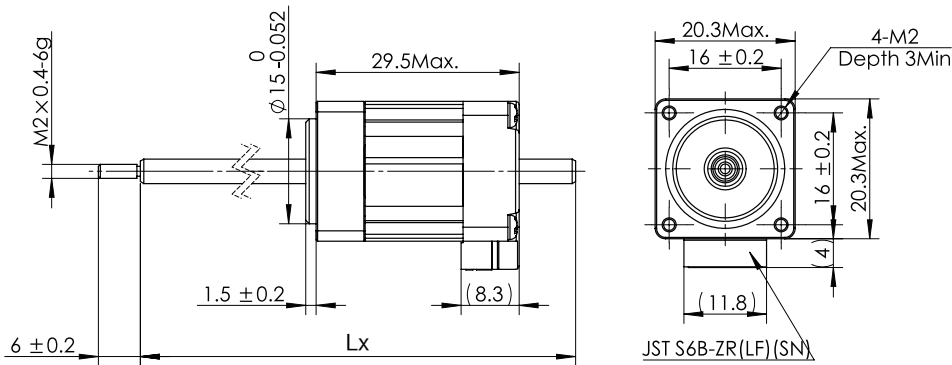
Note: Recommended Driver, DC Input: SR2-Plus, SR3-mini.

Mating Connector With Leads (order separately)

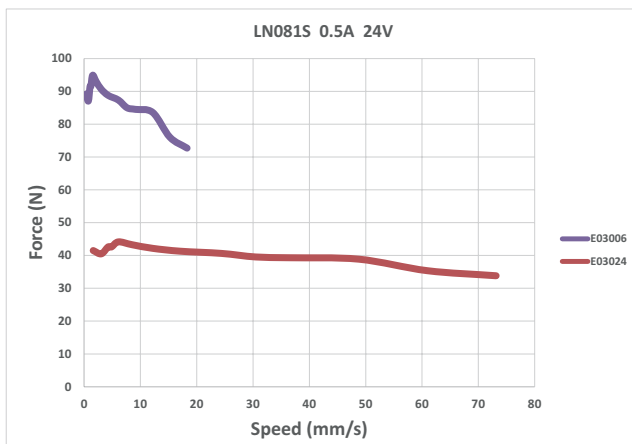


Dimensional Information

UNIT:mm

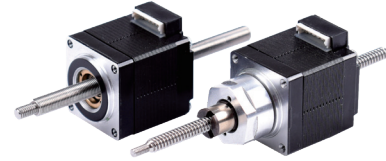


Speed - Force Reference Curve



LN/LNSM11 Series

Phases	2
Step Accuracy	±5%
IP Rating	40
Approvals	RoHS
Operating Temp.	-20°C~+50°C
Insulation Class	B(130°C)
Insulation Resistance	100MegOhms



Ordering Information

LN 11 1S - E04006 - 100 - AR - S - XXX

Lead Screw Motor Type Code

Code	Structure Type
LN	Non-captive Shaft
LNSM	

Frame Size Code

Code	Frame Size
11	28mm

Motor Body Length Code

Code	Motor Body Length Max(mm)	Step Angle (°)
1S	32	1.8
3S*	41	

Only LNSM series can match the *3S*code motor.

Lead Screw Type Code

Code	Nominal Diameter		Lead		Travel(mm)
	inch	mm	inch	mm	Travel Per1.8°
E04006	0.188	4.78	0.025	0.64	0.0032*
E04012			0.05	1.27	0.0064*
E04025			0.1	2.54	0.0127*

The number with * is abbreviated.

Rated Current Code

XXX=X.XX(A)

Special Custom Type Code

Code	Custom Type
0	Non Special Custom
S	Lead Screw End Machining
C	Other Special Custom Type

Nut Type Code

Code	Nut Type
AR	Standard Nut
BR*	Anti-backlash Nut

Only LNSM series can match the Anti-backlash nut.

Lx

###

Provided in 1 mm increments

Note: Choose the standard order models can get the sample quickly, please see P35 for standard models.

LN/LNSM11 Series

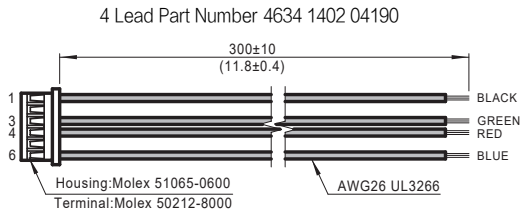
LN/LNSM11 Step Motor - 4 Lead Bi-Polar

Motor Type Code	Motor Body Length (mm)	Step Angle (°)	Electrical Connection	Rated Current (Amps)	Winding	
					Resistanc(Ohms) ±10%@20°C	Inductance(mH) Typ.
LN111S	32	1.8	Plug In Connector	0.67	6.1	5.5
				1	2.7	2.5
LNSM111S	32	1.8	Plug In Connector	0.5	10.9	9.7
				0.67	6.1	5.5
LNSM113S	41		Plug In Connector	0.95	3.8	3.5

Note: Recommended Driver, DC Input: SR2-Plus.

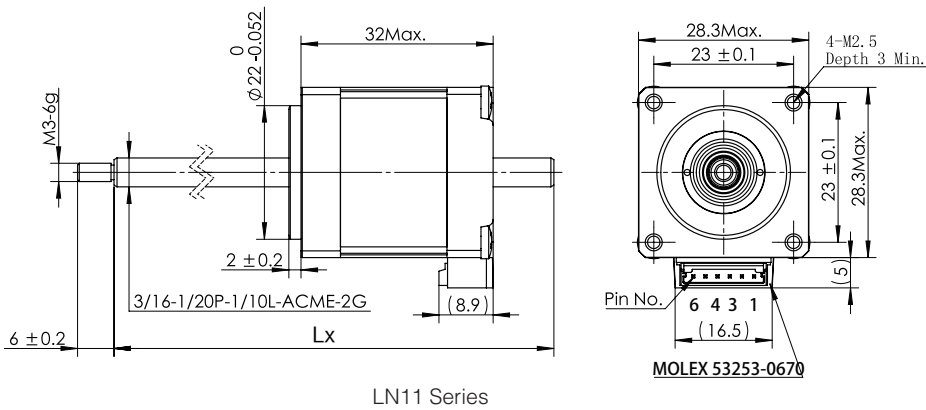
LN/LNSM Series

Mating Connector With Leads (order separately)

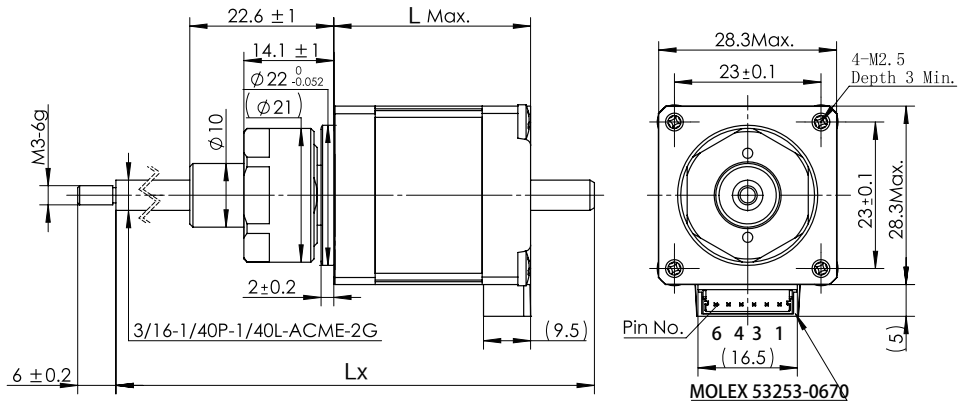


Dimensional Information

UNIT:mm



LN/LNSM11 Series

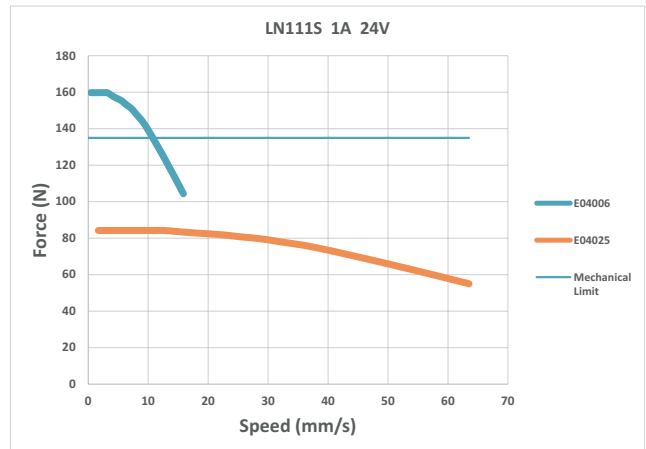
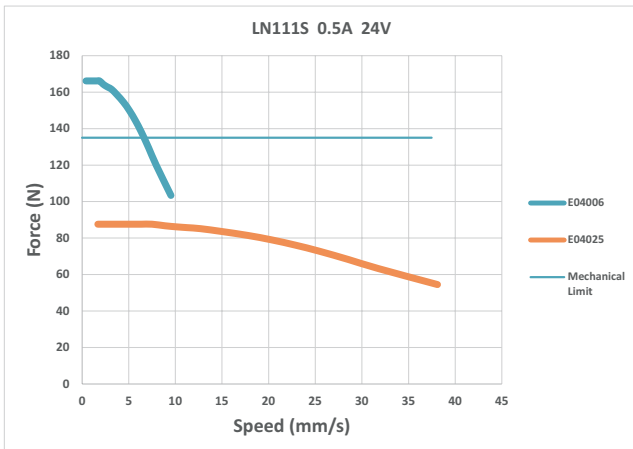


LNSM 11 Series

Motor Type	Dimension "L"
LNSM111S	32
LNSM113S	41

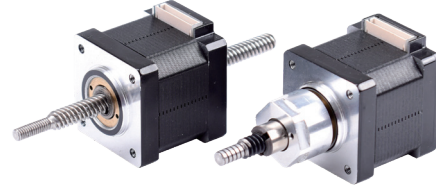
LN/LNSM Series

Speed - Force Reference Curve



LN/LNSM14 Series

Phases	2
Step Accuracy	±5%
IP Rating	40
Approvals	RoHS
Operating Temp.	-20°C~+50°C
Insulation Class	B(130°C)
Insulation Resistance	100MegOhms



Ordering Information

LN 14 3S - W0601 - 100 - AR - S - XXX

Lead Screw Motor Type Code

Code	Structure Type
LN	Non-captive Shaft
LNSM	

Frame Size Code

Code	Frame Size
14	35mm

Motor Body Length Code

Code	Motor Body Length Max(mm)	Step Angle (°)
3S	35	1.8

Lead Screw Type Code

Code	Nominal Diameter (mm)	Lead (mm)	Travel(mm)
			Travel Per1.8°
W0601	6	1	0.005
M0602		2	0.01
T6503	6.5	3	0.015

Code	Nominal Diameter		Lead		Travel(mm)
	inch	mm	inch	mm	Travel Per1.8°
E05006	0.218	5.54	0.024	0.61	0.0030*
E05012			0.048	1.22	0.0061*
E05048			0.192	4.88	0.0244*
E06008	0.25	6.35	0.031	0.79	0.0039
E06016			0.063	1.60	0.0080
E06032			0.125	3.18	0.0159*
E06063			0.25	6.35	0.0318*
E06085			0.333	8.46	0.0423*
E06127			0.5	12.70	0.0635
E06254			1	25.40	0.127

The number with * is abbreviated.

Rated Current Code

XXX=X.XX(A)

Special Custom Type Code

Code	Custom Type
0	Non Special Custom
S	Lead Screw End Machining
C	Other Special Custom Type

Nut Type Code

Code	Nut Type
AR	Standard Nut
BR*	Anti-backlash Nut

Only LNSM series can match the Anti-backlash nut.

Lx

Provided in 1 mm increments

Note: Choose the standard order models can get the sample quickly, please see P35 for standard models.

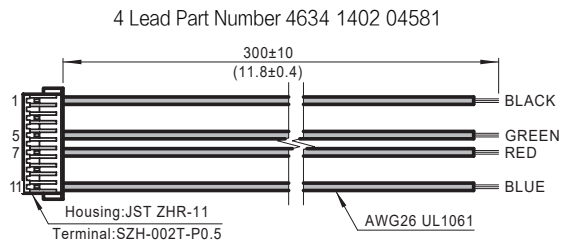
LN/LNSM14 Series

■ LN/LNSM14 Step Motor - 4 Lead Bi-Polar

Motor Type Code	Motor Body Length (mm)	Step Angle (°)	Electrical Connection	Rated Current (Amps)	Winding	
					Resistanc(Ohms) ±10%@20°C	Inductance(mH) Typ.
LN143S	35	1.8	Plug In Connector	0.5	15.1	25
				1	3.4	5.3
				1.5	1.61	2.5
LNSM143S	35	1.8	Plug In Connector	1	3.4	5.3
				1.5	1.61	2.5

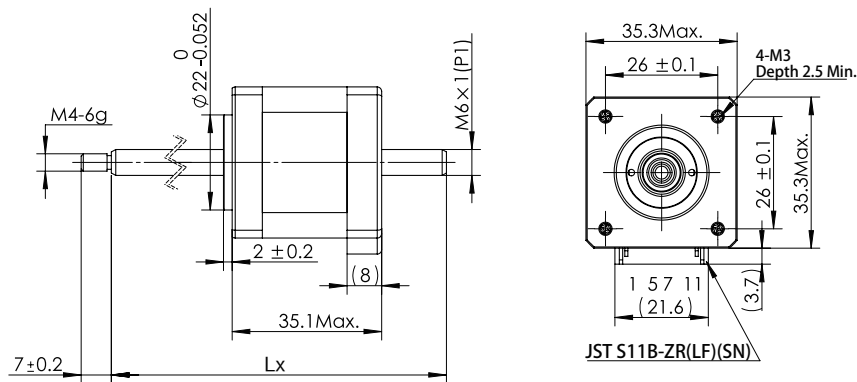
Note: Recommended Driver, DC Input: SR2-Plus.

■ Mating Connector With Leads (order separately)



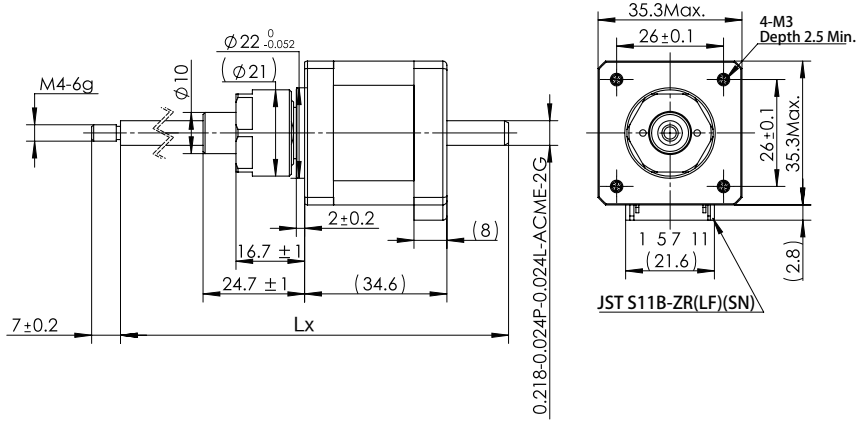
■ Dimensional Information

UNIT:mm



LN14 Series

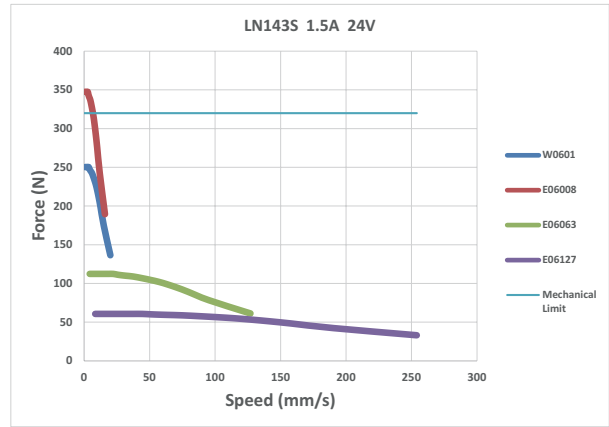
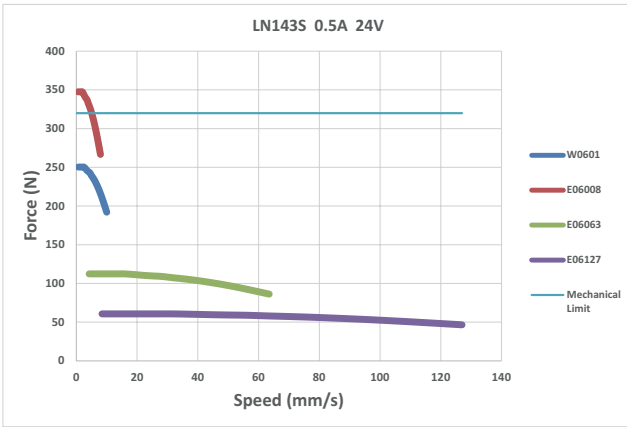
LN/LNSM14 Series



LNSM14 Series

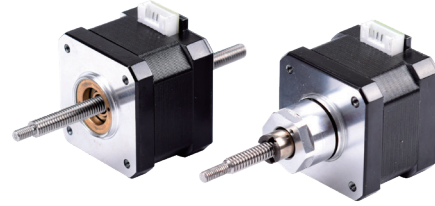
LN/LNSM Series

Speed - Force Reference Curve



LN/LNSM17 Series

Phases	2
Step Accuracy	±5%
IP Rating	40
Approvals	RoHS
Operating Temp.	-20°C~+50°C
Insulation Class	B(130°C)
Insulation Resistance	100MegOhms



Ordering Information

LN 17 2S - M0602 - 100 - AR - S - XXX

<p>Lead Screw Motor Type Code</p> <table border="1" style="width: 100%; border-collapse: collapse;"> <thead> <tr> <th>Code</th> <th>Structure Type</th> </tr> </thead> <tbody> <tr> <td>LN</td> <td rowspan="2">Non-captive Shaft</td> </tr> <tr> <td>LNSM</td> </tr> </tbody> </table> <p>Frame Size Code</p> <table border="1" style="width: 100%; border-collapse: collapse;"> <thead> <tr> <th>Code</th> <th>Frame Size</th> </tr> </thead> <tbody> <tr> <td>17</td> <td>42mm</td> </tr> </tbody> </table> <p>Motor Body Length Code</p> <table border="1" style="width: 100%; border-collapse: collapse;"> <thead> <tr> <th>Code</th> <th>Motor Body Length Max(mm)</th> <th>Step Angle (°)</th> </tr> </thead> <tbody> <tr> <td>4S</td> <td>34</td> <td rowspan="3">1.8</td> </tr> <tr> <td>2S</td> <td>40</td> </tr> <tr> <td>6S</td> <td>48</td> </tr> </tbody> </table> <p>Lead Screw Type Code</p> <table border="1" style="width: 100%; border-collapse: collapse;"> <thead> <tr> <th rowspan="2">Code</th> <th rowspan="2">Nominal Diameter (mm)</th> <th rowspan="2">Lead (mm)</th> <th>Travel(mm)</th> </tr> <tr> <th>Travel Per1.8°</th> </tr> </thead> <tbody> <tr> <td>W0601</td> <td rowspan="2">6</td> <td>1</td> <td>0.005</td> </tr> <tr> <td>M0602</td> <td>2</td> <td>0.01</td> </tr> <tr> <td>T6503</td> <td>6.5</td> <td>3</td> <td>0.015</td> </tr> </tbody> </table> <table border="1" style="width: 100%; border-collapse: collapse;"> <thead> <tr> <th rowspan="2">Code</th> <th colspan="2">Nominal Diameter</th> <th colspan="2">Lead</th> <th>Travel(mm)</th> </tr> <tr> <th>inch</th> <th>mm</th> <th>inch</th> <th>mm</th> <th>Travel Per1.8°</th> </tr> </thead> <tbody> <tr> <td>E05006</td> <td rowspan="3">0.218</td> <td rowspan="3">5.54</td> <td>0.024</td> <td>0.61</td> <td>0.0030*</td> </tr> <tr> <td>E05012</td> <td>0.048</td> <td>1.22</td> <td>0.0061*</td> </tr> <tr> <td>E05048</td> <td>0.192</td> <td>4.88</td> <td>0.0244*</td> </tr> <tr> <td>E06008</td> <td rowspan="7">0.25</td> <td rowspan="7">6.35</td> <td>0.031</td> <td>0.79</td> <td>0.0039*</td> </tr> <tr> <td>E06016</td> <td>0.063</td> <td>1.60</td> <td>0.0080</td> </tr> <tr> <td>E06032</td> <td>0.125</td> <td>3.18</td> <td>0.0159*</td> </tr> <tr> <td>E06063</td> <td>0.25</td> <td>6.35</td> <td>0.0318*</td> </tr> <tr> <td>E06085</td> <td>0.333</td> <td>8.46</td> <td>0.0423*</td> </tr> <tr> <td>E06127</td> <td>0.5</td> <td>12.70</td> <td>0.0635</td> </tr> <tr> <td>E06254</td> <td>1</td> <td>25.40</td> <td>0.1270</td> </tr> </tbody> </table> <p><small>The number with * is abbreviated.</small></p>	Code	Structure Type	LN	Non-captive Shaft	LNSM	Code	Frame Size	17	42mm	Code	Motor Body Length Max(mm)	Step Angle (°)	4S	34	1.8	2S	40	6S	48	Code	Nominal Diameter (mm)	Lead (mm)	Travel(mm)	Travel Per1.8°	W0601	6	1	0.005	M0602	2	0.01	T6503	6.5	3	0.015	Code	Nominal Diameter		Lead		Travel(mm)	inch	mm	inch	mm	Travel Per1.8°	E05006	0.218	5.54	0.024	0.61	0.0030*	E05012	0.048	1.22	0.0061*	E05048	0.192	4.88	0.0244*	E06008	0.25	6.35	0.031	0.79	0.0039*	E06016	0.063	1.60	0.0080	E06032	0.125	3.18	0.0159*	E06063	0.25	6.35	0.0318*	E06085	0.333	8.46	0.0423*	E06127	0.5	12.70	0.0635	E06254	1	25.40	0.1270	<p>Rated Current Code</p> <p style="text-align: right;">XXX=X.XX(A)</p> <p>Special Custom Type Code</p> <table border="1" style="width: 100%; border-collapse: collapse;"> <thead> <tr> <th>Code</th> <th>Custom Type</th> </tr> </thead> <tbody> <tr> <td>0</td> <td>Non Special Custom</td> </tr> <tr> <td>S</td> <td>Lead Screw End Machining</td> </tr> <tr> <td>C</td> <td>Other Special Custom Type</td> </tr> </tbody> </table> <p>Nut Type Code</p> <table border="1" style="width: 100%; border-collapse: collapse;"> <thead> <tr> <th>Code</th> <th>Nut Type</th> </tr> </thead> <tbody> <tr> <td>AR</td> <td>Standard Nut</td> </tr> <tr> <td>BR*</td> <td>Anti-backlash Nut</td> </tr> </tbody> </table> <p><small>Only LNSM series can match the Anti-backlash nut.</small></p> <p style="text-align: right;">Lx</p> <table border="1" style="width: 100%; border-collapse: collapse;"> <thead> <tr> <th>###</th> <th>Provided in 1 mm increments</th> </tr> </thead> <tbody> <tr> <td> </td> <td> </td> </tr> </tbody> </table>	Code	Custom Type	0	Non Special Custom	S	Lead Screw End Machining	C	Other Special Custom Type	Code	Nut Type	AR	Standard Nut	BR*	Anti-backlash Nut	###	Provided in 1 mm increments		
Code	Structure Type																																																																																																												
LN	Non-captive Shaft																																																																																																												
LNSM																																																																																																													
Code	Frame Size																																																																																																												
17	42mm																																																																																																												
Code	Motor Body Length Max(mm)	Step Angle (°)																																																																																																											
4S	34	1.8																																																																																																											
2S	40																																																																																																												
6S	48																																																																																																												
Code	Nominal Diameter (mm)	Lead (mm)	Travel(mm)																																																																																																										
			Travel Per1.8°																																																																																																										
W0601	6	1	0.005																																																																																																										
M0602		2	0.01																																																																																																										
T6503	6.5	3	0.015																																																																																																										
Code	Nominal Diameter		Lead		Travel(mm)																																																																																																								
	inch	mm	inch	mm	Travel Per1.8°																																																																																																								
E05006	0.218	5.54	0.024	0.61	0.0030*																																																																																																								
E05012			0.048	1.22	0.0061*																																																																																																								
E05048			0.192	4.88	0.0244*																																																																																																								
E06008	0.25	6.35	0.031	0.79	0.0039*																																																																																																								
E06016			0.063	1.60	0.0080																																																																																																								
E06032			0.125	3.18	0.0159*																																																																																																								
E06063			0.25	6.35	0.0318*																																																																																																								
E06085			0.333	8.46	0.0423*																																																																																																								
E06127			0.5	12.70	0.0635																																																																																																								
E06254			1	25.40	0.1270																																																																																																								
Code	Custom Type																																																																																																												
0	Non Special Custom																																																																																																												
S	Lead Screw End Machining																																																																																																												
C	Other Special Custom Type																																																																																																												
Code	Nut Type																																																																																																												
AR	Standard Nut																																																																																																												
BR*	Anti-backlash Nut																																																																																																												
###	Provided in 1 mm increments																																																																																																												

LN/LNSM Series

Note: Choose the standard order models can get the sample quickly, please see P35 for standard models.

LN/LNSM17 Series

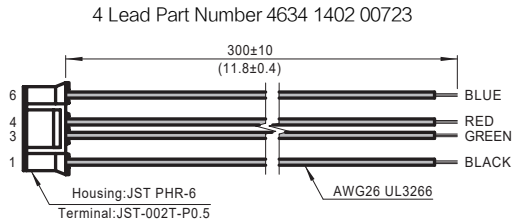
■ LN/LNSM17 Step Motor - 4 Lead Bi-Polar

Motor Type Code	Motor Body Length (mm)	Step Angle (°)	Electrical Connection	Rated Current (Amps)	Winding	
					Resistanc(Ohms) ±10%@20°C	Inductance(mH) Typ.
LN174S	34	1.8	Plug In Connector	0.65	8.7	15.2
				1	4.2	7
				1.5	1.75	2.8
LNSM174S	34	1.8	Plug In Connector	0.65	8.7	15.2
				1	4.2	7
LN172S	40	1.8	Plug In Connector	1	3.9	10.8
				1.5	1.98	4.9
				2	1.04	2.5
LNSM172S	40	1.8	Plug In Connector	1.5	1.98	4.9
LN176S	48	1.8	Plug In Connector	1	4.9	10.2
				2	1.25	2.8
LNSM176S	48	1.8	Plug In Connector	1	4.9	10.2
				2	1.25	2.8

Note: Recommended Driver, DC Input: SR2-Plus, SR4-Plus.

LN/LNSM Series

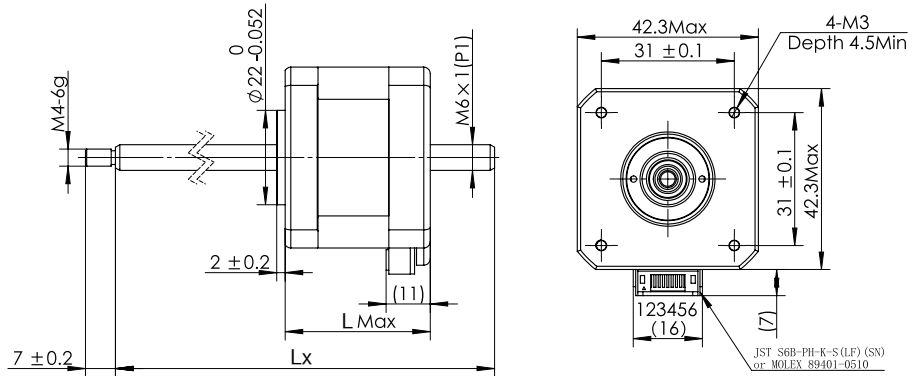
■ Mating Connector With Leads (order separately)



LN/LNSM17 Series

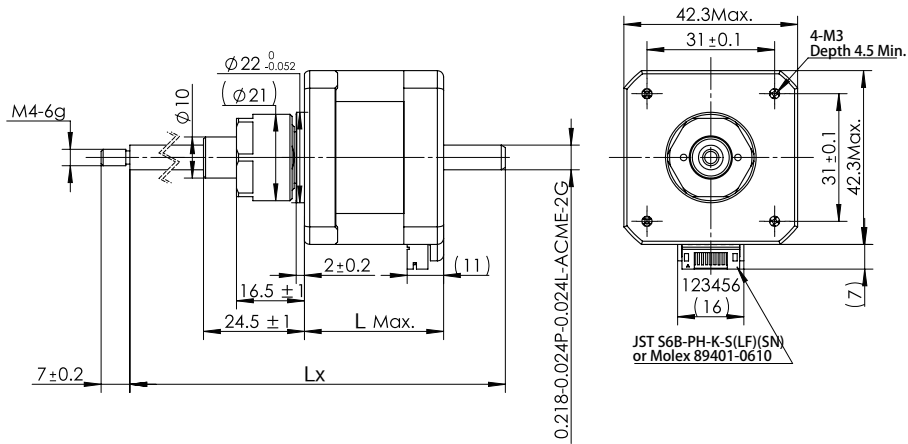
Dimensional Information

UNIT:mm



LN17 Series

Motor Type	Dimension "L"
LN174S	34.3
LN172S	39.8
LN176S	48.3

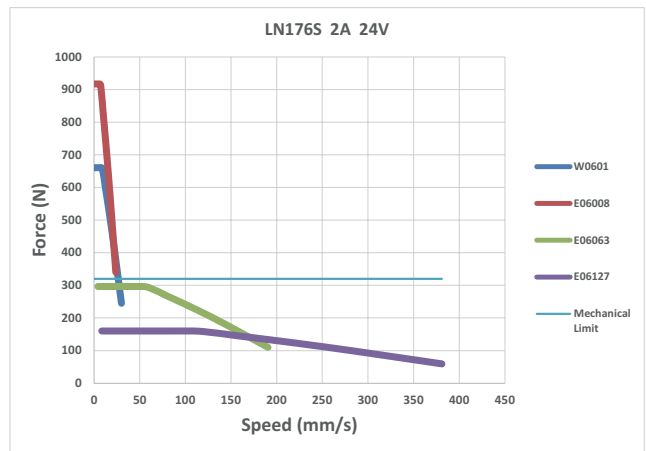
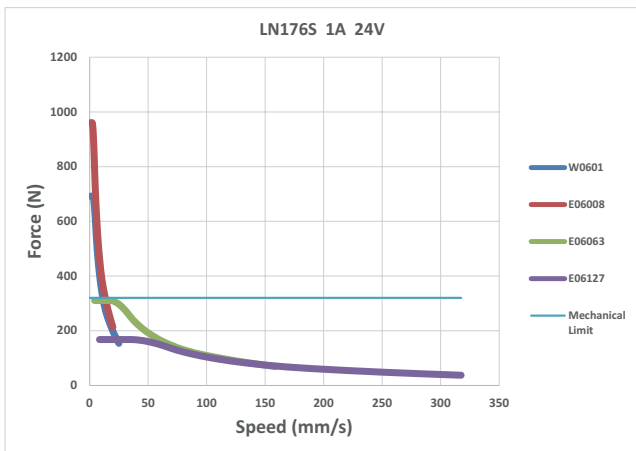
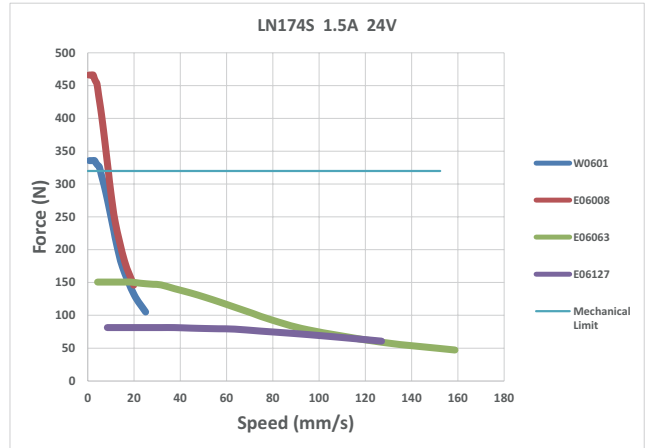
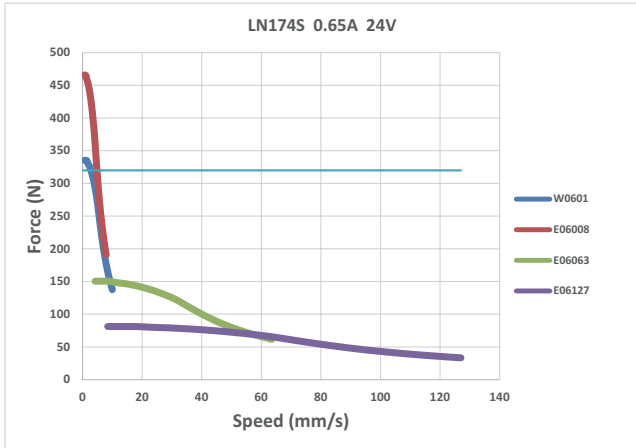
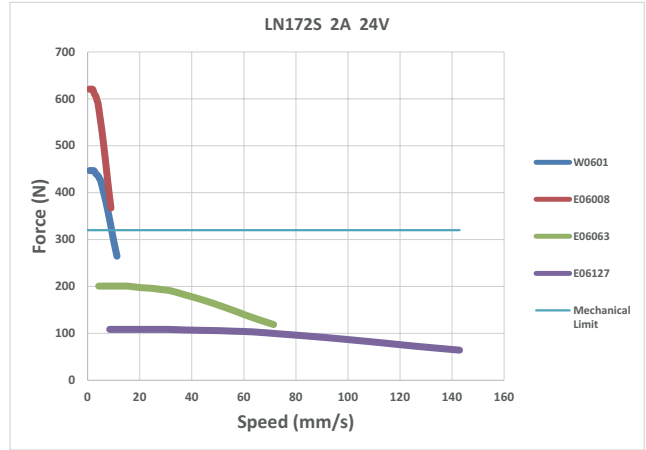
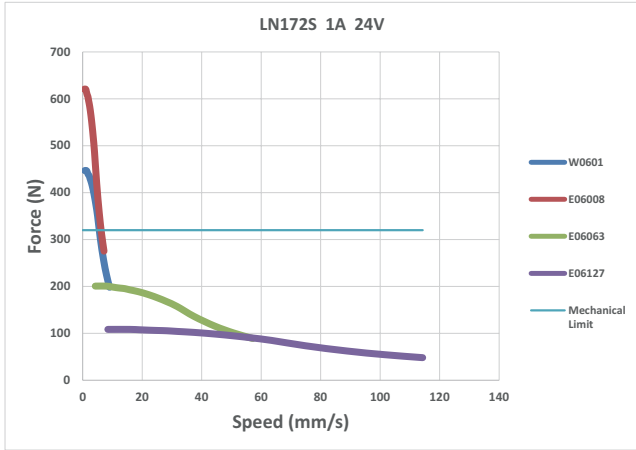


LNSM17 Series

Motor Type	Dimension "L"
LNSM174S	34.3
LNSM172S	39.8
LNSM176S	48.3

LN/LNSM17 Series

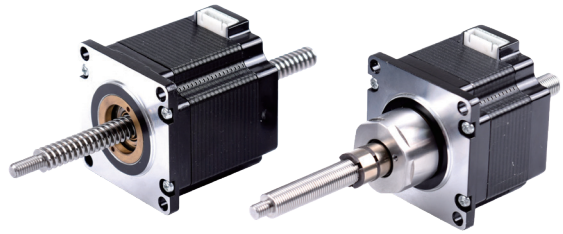
Speed - Force Reference Curve



LN/LNSM Series

LN/LNSM23 Series

Phases	2
Step Accuracy	±5%
IP Rating	40
Approvals	RoHS
Operating Temp.	-20°C~+50°C
Insulation Class	B(130°C)
Insulation Resistance	100MegOhms



Ordering Information

LN 23 8S - M1001 - 100 - AR - S - XXX

<p>Lead Screw Motor Type Code</p> <table border="1" style="width: 100%; border-collapse: collapse;"> <thead> <tr> <th>Code</th> <th>Structure Type</th> </tr> </thead> <tbody> <tr> <td>LN</td> <td rowspan="2">Non-captive Shaft</td> </tr> <tr> <td>LNSM</td> </tr> </tbody> </table> <p>Frame Size Code</p> <table border="1" style="width: 100%; border-collapse: collapse;"> <thead> <tr> <th>Code</th> <th>Frame Size</th> </tr> </thead> <tbody> <tr> <td>23</td> <td>57mm</td> </tr> </tbody> </table> <p>Motor Body Length Code</p> <table border="1" style="width: 100%; border-collapse: collapse;"> <thead> <tr> <th>Code</th> <th>Motor Body Length Max(mm)</th> <th>Step Angle (°)</th> </tr> </thead> <tbody> <tr> <td>4S</td> <td>45</td> <td rowspan="3">1.8</td> </tr> <tr> <td>8S</td> <td>57</td> </tr> <tr> <td>AS*</td> <td>79</td> </tr> </tbody> </table> <p><small>Only LN series can match the *AS*code motor.</small></p> <p>Lead Screw Type Code</p> <table border="1" style="width: 100%; border-collapse: collapse;"> <thead> <tr> <th rowspan="2">Code</th> <th rowspan="2">Nominal Diameter (mm)</th> <th rowspan="2">Lead (mm)</th> <th colspan="2">Travel(mm)</th> </tr> <tr> <th>Travel Per1.8°</th> <th></th> </tr> </thead> <tbody> <tr><td>T0801</td><td rowspan="15">8</td><td>1</td><td>0.005</td><td></td></tr> <tr><td>T08012</td><td>1.25</td><td>0.0063*</td><td></td></tr> <tr><td>T0802</td><td>2</td><td>0.01</td><td></td></tr> <tr><td>T0803</td><td>3</td><td>0.015</td><td></td></tr> <tr><td>T0804</td><td>4</td><td>0.02</td><td></td></tr> <tr><td>T0805</td><td>5</td><td>0.025</td><td></td></tr> <tr><td>T0808</td><td>8</td><td>0.04</td><td></td></tr> <tr><td>T0810</td><td>10</td><td>0.05</td><td></td></tr> <tr><td>T0812</td><td>12</td><td>0.06</td><td></td></tr> <tr><td>T0815</td><td>15</td><td>0.075</td><td></td></tr> <tr><td>T0830</td><td>30</td><td>0.15</td><td></td></tr> <tr><td>M1001</td><td rowspan="5">10</td><td>1</td><td>0.005</td><td></td></tr> <tr><td>M1002</td><td>2</td><td>0.01</td><td></td></tr> <tr><td>M1003</td><td>3</td><td>0.015</td><td></td></tr> <tr><td>T10105</td><td>10.5</td><td>0.0525*</td><td></td></tr> <tr><td>T1015</td><td>15</td><td>0.075</td><td></td></tr> </tbody> </table>	Code	Structure Type	LN	Non-captive Shaft	LNSM	Code	Frame Size	23	57mm	Code	Motor Body Length Max(mm)	Step Angle (°)	4S	45	1.8	8S	57	AS*	79	Code	Nominal Diameter (mm)	Lead (mm)	Travel(mm)		Travel Per1.8°		T0801	8	1	0.005		T08012	1.25	0.0063*		T0802	2	0.01		T0803	3	0.015		T0804	4	0.02		T0805	5	0.025		T0808	8	0.04		T0810	10	0.05		T0812	12	0.06		T0815	15	0.075		T0830	30	0.15		M1001	10	1	0.005		M1002	2	0.01		M1003	3	0.015		T10105	10.5	0.0525*		T1015	15	0.075		<p>Rated Current Code</p> <p style="text-align: center;">XXX=X.XX(A)</p> <p>Special Custom Type Code</p> <table border="1" style="width: 100%; border-collapse: collapse;"> <thead> <tr> <th>Code</th> <th>Custom Type</th> </tr> </thead> <tbody> <tr> <td>0</td> <td>Non Special Custom</td> </tr> <tr> <td>S</td> <td>Lead Screw End Machining</td> </tr> <tr> <td>C</td> <td>Other Special Custom Type</td> </tr> </tbody> </table> <p>Nut Type Code</p> <table border="1" style="width: 100%; border-collapse: collapse;"> <thead> <tr> <th>Code</th> <th>Nut Type</th> </tr> </thead> <tbody> <tr> <td>AR</td> <td>Standard Nut</td> </tr> <tr> <td>BR*</td> <td>Anti-backlash Nut</td> </tr> </tbody> </table> <p><small>Only LNSM series can match the Anti-backlash nut.</small></p>	Code	Custom Type	0	Non Special Custom	S	Lead Screw End Machining	C	Other Special Custom Type	Code	Nut Type	AR	Standard Nut	BR*	Anti-backlash Nut	<table border="1" style="width: 100%; border-collapse: collapse;"> <thead> <tr> <th rowspan="2">Code</th> <th colspan="2">Nominal Diameter</th> <th colspan="2">Lead</th> <th colspan="2">Travel(mm)</th> </tr> <tr> <th>inch</th> <th>mm</th> <th>inch</th> <th>mm</th> <th>Travel Per1.8°</th> <th></th> </tr> </thead> <tbody> <tr> <td>E09025</td> <td rowspan="3">0.375</td> <td rowspan="3">9.53</td> <td>0.1</td> <td>2.54</td> <td>0.0127</td> <td></td> </tr> <tr> <td>E09050</td> <td>0.2</td> <td>5.08</td> <td>0.0254</td> <td></td> </tr> <tr> <td>E09102</td> <td>0.4</td> <td>10.16</td> <td>0.0508*</td> <td></td> </tr> <tr> <td>E09254</td> <td>0.382</td> <td>9.70</td> <td>1</td> <td>25.40</td> <td>0.1270</td> <td></td> </tr> </tbody> </table> <p><small>1.The number with * is abbreviated. 2.Only LNSM series can match the ϕ 9.7/10 mm screw.</small></p> <p style="text-align: right;">Lx</p> <table border="1" style="width: 100%; border-collapse: collapse;"> <tr> <td style="width: 20%; text-align: center;">###</td> <td style="text-align: center;">Provided in 1 mm increments</td> </tr> </table>	Code	Nominal Diameter		Lead		Travel(mm)		inch	mm	inch	mm	Travel Per1.8°		E09025	0.375	9.53	0.1	2.54	0.0127		E09050	0.2	5.08	0.0254		E09102	0.4	10.16	0.0508*		E09254	0.382	9.70	1	25.40	0.1270		###	Provided in 1 mm increments
Code	Structure Type																																																																																																																																																		
LN	Non-captive Shaft																																																																																																																																																		
LNSM																																																																																																																																																			
Code	Frame Size																																																																																																																																																		
23	57mm																																																																																																																																																		
Code	Motor Body Length Max(mm)	Step Angle (°)																																																																																																																																																	
4S	45	1.8																																																																																																																																																	
8S	57																																																																																																																																																		
AS*	79																																																																																																																																																		
Code	Nominal Diameter (mm)	Lead (mm)	Travel(mm)																																																																																																																																																
			Travel Per1.8°																																																																																																																																																
T0801	8	1	0.005																																																																																																																																																
T08012		1.25	0.0063*																																																																																																																																																
T0802		2	0.01																																																																																																																																																
T0803		3	0.015																																																																																																																																																
T0804		4	0.02																																																																																																																																																
T0805		5	0.025																																																																																																																																																
T0808		8	0.04																																																																																																																																																
T0810		10	0.05																																																																																																																																																
T0812		12	0.06																																																																																																																																																
T0815		15	0.075																																																																																																																																																
T0830		30	0.15																																																																																																																																																
M1001		10	1	0.005																																																																																																																																															
M1002			2	0.01																																																																																																																																															
M1003			3	0.015																																																																																																																																															
T10105			10.5	0.0525*																																																																																																																																															
T1015	15		0.075																																																																																																																																																
Code	Custom Type																																																																																																																																																		
0	Non Special Custom																																																																																																																																																		
S	Lead Screw End Machining																																																																																																																																																		
C	Other Special Custom Type																																																																																																																																																		
Code	Nut Type																																																																																																																																																		
AR	Standard Nut																																																																																																																																																		
BR*	Anti-backlash Nut																																																																																																																																																		
Code	Nominal Diameter		Lead		Travel(mm)																																																																																																																																														
	inch	mm	inch	mm	Travel Per1.8°																																																																																																																																														
E09025	0.375	9.53	0.1	2.54	0.0127																																																																																																																																														
E09050			0.2	5.08	0.0254																																																																																																																																														
E09102			0.4	10.16	0.0508*																																																																																																																																														
E09254	0.382	9.70	1	25.40	0.1270																																																																																																																																														
###	Provided in 1 mm increments																																																																																																																																																		

LN/LNSM Series

Note: Choose the standard order models can get the sample quickly, please see P35 for standard models.

LN/LNSM23 Series

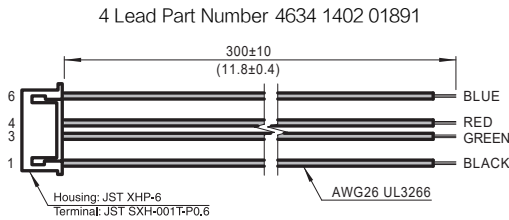
■ LN/LNSM23 Step Motor - 4 Lead Bi-Polar

Motor Type Code	Motor Body Length (mm)	Step Angle (°)	Electrical Connection	Rated Current (Amps)	Winding	
					Resistanc(Ohms) ±10%@20°C	Inductance(mH) Typ.
LN234S	45	1.8	Plug In Connector	1.5	2.9	7.5
				2.1	1.6	3.9
LNSM234S	45	1.8	Plug In Connector	1.5	2.9	7.5
				2.1	1.6	3.9
LN238S	57	1.8	Plug In Connector	1.5	3.9	15
				2.2	1.6	7.2
LNSM238S	57	1.8	Plug In Connector	1.5	3.9	15
				2.2	1.6	7.2
LN23AS	79	1.8	Plug In Connector	1.5	4.3	18.5
				3	1.1	5

Note: Recommended Driver, DC Input: SR8-Plus.

LN/LNSM Series

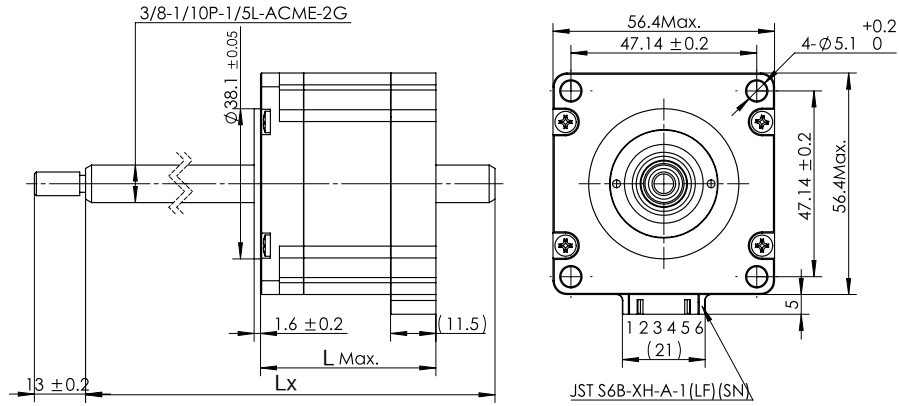
■ Mating Connector With Leads (order separately)



LN/LNSM23 Series

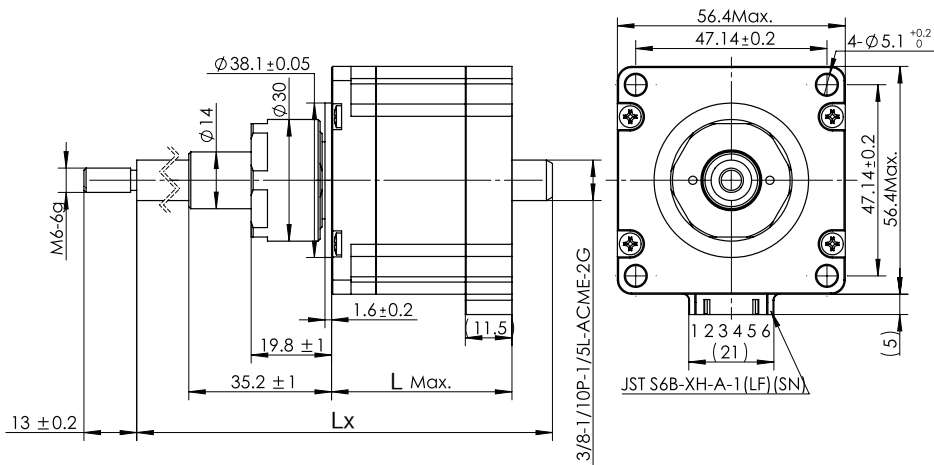
Dimensional Information

UNIT:mm



LN23 Series

Motor Type	Dimension "L"
LN234S	45
LN238S	57
LN23AS	79

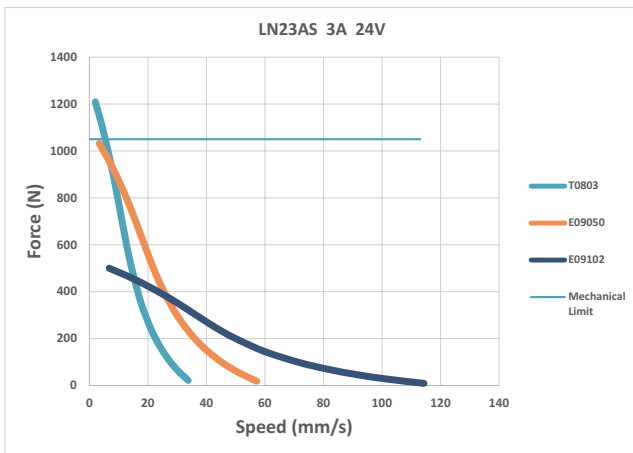
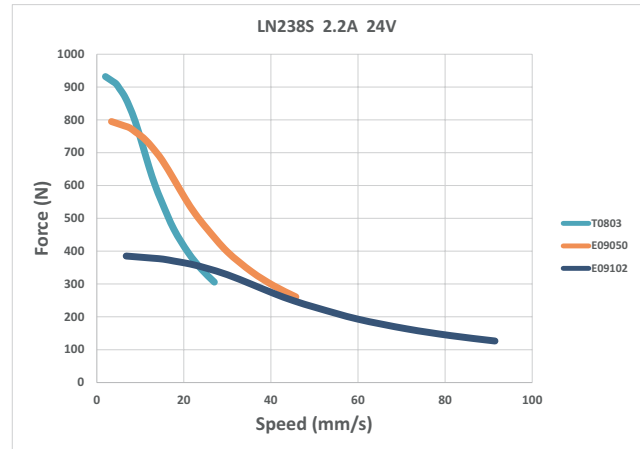
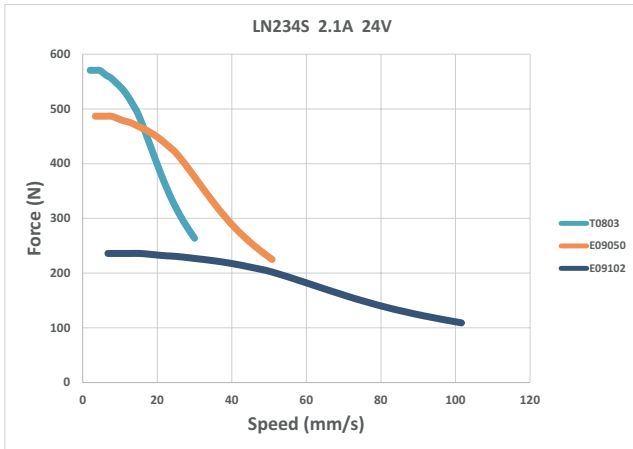


LNSM23 Series

Motor Type	Dimension "L"
LNSM234S	45
LNSM238S	57

LN/LNSM23 Series

Speed - Force Reference Curve



LN/LNSM Series

LC : Captive Type

A lead-screw nut is integrated into the motor rotor, and a leadscrew passes through the center of the motor. The leadscrew drives an integral plunger in and out. The plunger is supported by a housing that is part of the motor. This is a complete assembly with a shaft that moves in and out. No separate supports are needed for the screw or nut.

- Five frame sizes: NEMA08/11/14/17/23
- Multiple motor lengths and motor sizes
- Each motor size has a rich range of lead screws

This series products offer many advantages such as high integration, small size, quieter operation and stable product quality. Not only provides the best performance but also easier to use.



■ Numbering System

LC	174S	-	E06008	-	25	-	S	-	XXX
①	②		③		④		⑤		⑥
Series	Motor type		Lead screw type		Stroke Code 25.4 (mm)		Customized Code S=Screw End Machining		Rated Current XXX=X.XX(A)

LC Series Configuration Table (Inch Screw)

Nominal Diameter	Lead		Lead Screw Code	Motor Options										
	inch	mm		LC081S	LC111S	LC143S	LC174S	LC172S	LC176S	LC234S	LC238S	LC23AS		
0.138	3.51	0.024	E03006	⊙	-	-	-	-	-	-	-	-	-	-
		0.048	E03012	⊙	-	-	-	-	-	-	-	-	-	-
		0.096	E03024	⊙	-	-	-	-	-	-	-	-	-	-
0.188	4.78	0.025	E04006	-	⊙	-	-	-	-	-	-	-	-	-
		0.05	E04012	-	⊙	-	-	-	-	-	-	-	-	-
		0.1	E04025	-	⊙	-	-	-	-	-	-	-	-	-
0.218	5.54	0.024	E05006	-	-	⊙	⊙	⊙	⊙	-	-	-	-	-
		0.048	E05012	-	-	⊙	⊙	⊙	⊙	-	-	-	-	-
		0.192	E05048	-	-	⊙	⊙	⊙	⊙	-	-	-	-	-
0.25	6.35	0.031	E06008	-	-	⊙	⊙	⊙	⊙	-	-	-	-	-
		0.063	E06015	-	-	⊙	⊙	⊙	⊙	-	-	-	-	-
		0.125	E06031	-	-	⊙	⊙	⊙	⊙	-	-	-	-	-
0.375	9.53	0.25	E06063	-	-	⊙	⊙	⊙	⊙	-	-	-	-	-
		0.333	E06084	-	-	⊙	⊙	⊙	⊙	-	-	-	-	-
		0.5	E06127	-	-	⊙	⊙	⊙	⊙	-	-	-	-	-
0.375	9.53	1	E06254	-	-	⊙	⊙	⊙	⊙	-	-	-	-	-
		0.1	E09025	-	-	-	-	-	-	⊙	⊙	⊙	⊙	
		0.2	E09050	-	-	-	-	-	-	-	⊙	⊙	⊙	
0.375	9.53	0.4	E09101	-	-	-	-	-	-	-	-	⊙	⊙	

Note: 1. Marked with "⊙" was recommend matches for more matches please contact with MOONS'.
2. The table shown is standard leadscrew options, for PTFE Coating screw please contact with MOONS'.

LC Series Standard Models for stock

Size (mm)	Motor Series	Lead Screw Options	Stroke Options	End Machining Code	Rated Current Options	Page
20X20	LC081S	- E03006	25	- S	050	P56
	LC081S	- E03024		- S		
28X28	LC111S	- E04006	12, 25, 38	- S	050,067,100	P58
	LC111S	- E04025		- S		
35X35	LC143S	- E06008	25	- S	050,100,150	P61
	LC143S	- E06063		- S		
	LC143S	- E06127		- S		
42X42	LC174S	- E06008	25	- S	065,100,150	P64
	LC174S	- E06063		- S		
	LC174S	- E06127		- S		
	LC172S	- E06008	25	- S	100,150,200	
	LC172S	- E06063		- S		
	LC172S	- E06127		- S		
	LC176S	- E06008	25	- S	100,200	
	LC176S	- E06063		- S		
LC176S	- E06127	- S				
57X57	LC234S	- E09025	25	- S	150,210	P68
	LC234S	- E09050		- S		
	LC234S	- E09102		- S		
	LC238S	- E09025	25	- S	220	
	LC238S	- E09050		- S		
	LC238S	- E09102		- S		
	LC23AS	- E09025	25	- S	300	
	LC23AS	- E09050		- S		
LC23AS	- E09102	- S				

Order sample	① Select configuration codes					
	Motor Series	Lead Screw Options	Stroke Options	End Machining Code	Rated Current Options	
	LC111S	- E04006	12, 25, 38	- S	050, 067, 100	
	② Determine the order Models					
LC111S - E04006 - 25 - S - 067						
In addition to the standard number, also provides a wealth of customized configuration options, for more information please contact the factory.						

LC08 Series

Phases	2
Step Accuracy	±5%
IP Rating	40
Approvals	RoHS
Operating Temp.	-20°C~+50°C
Insulation Class	B(130°C)
Insulation Resistance	100MegOhms



Ordering Information

LC 08 1S - E03006 - 25 - S - XXX

Lead Screw Motor Type Code

Code	Structure Type
LN	Captive Shaft

Frame Size Code

Code	Frame Size
08	20mm

Lead Screw Type Code

Code	Motor Body Length Max(mm)	Step Angle (°)
1S	30	1.8

Lead Screw Type Code

Code	Nominal Diameter		Lead		Travel(mm)
	inch	mm	inch	mm	Travel Per1.8°
E03006	0.138	3.51	0.024	0.61	0.0030*
E03012			0.048	1.22	0.0061*
E03024			0.096	2.44	0.0122*

The number with * is abbreviated.

Rated Current Code

XXX=X.XX(A)

Special Custom Type Code

Code	Custom Type
0	Non Special Custom
S	Lead Screw End Machining
C	Other Special Custom Type

Stroke Code

Code	Stroke(mm)
25	25.4

LC Series

Note: Choose the standard order models can get the sample quickly, please see P54 for standard models.

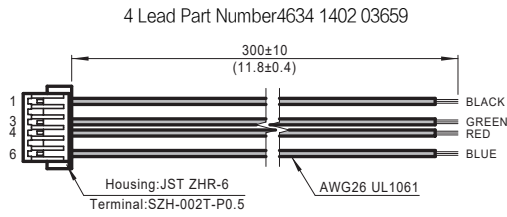
LC08 Step Motor - 4 Lead Bi-Polar

Motor Type Code	Motor Body Length (mm)	Step Angle (°)	Electrical Connection	Rated Current (Amps)	Winding	
					Resistanc(Ohms) ±10%@20°C	Inductance(mH) Typ.
LC081S	30	1.8	Plug In Connector	0.5	8.6	6.5

Note: Recommended Driver, DC Input: SR2-Plus, SR3-mini.

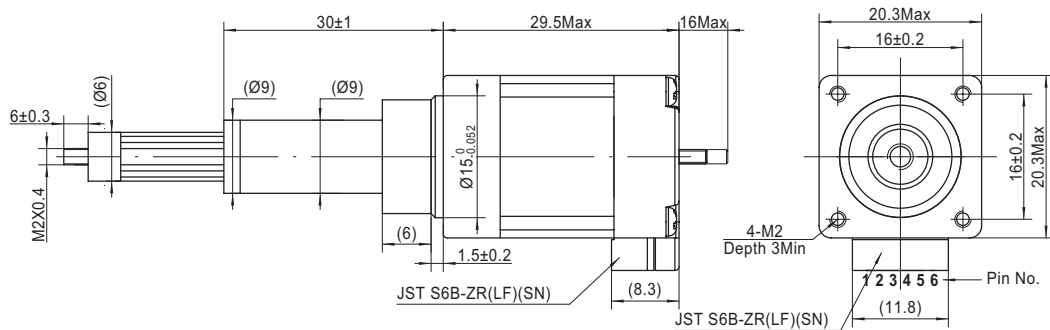
LC08 Series

■ Mating Connector With Leads (order separately)

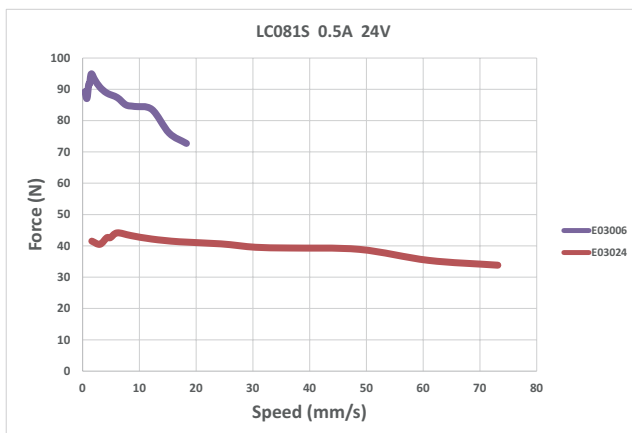


■ Dimensional Information

UNIT:mm



■ Speed - Force Reference Curve



LC11 Series

Phases	2
Step Accuracy	±5%
IP Rating	40
Approvals	RoHS
Operating Temp.	-20°C~+50°C
Insulation Class	B(130°C)
Insulation Resistance	100MegOhms



Ordering Information

LC 11 1S - E04006 - 25 - S - XXX

Lead Screw Motor Type Code

Code	Structure Type
LC	Captive Shaft

Frame Size Code

Code	Frame Size
11	28mm

Motor Body Length Code

Code	Motor Body Length Max(mm)	Step Angle (°)
1S	32	1.8
3S	41	

Lead Screw Type Code

Code	Nominal Diameter		Lead		Travel(mm)
	inch	mm	inch	mm	Travel Per 1.8°
E04006	0.188	4.78	0.025	0.64	0.0032*
E04012			0.05	1.27	0.0064*
E04025			0.1	2.54	0.0127*

The number with * is abbreviated.

Rated Current Code

XXX=X.XX(A)

Special Custom Type Code

Code	Custom Type
0	Non Special Custom
S	Lead Screw End Machining
C	Other Special Custom Type

Stroke Code

Code	Stroke(mm)
12	12.7
25	25.4
38	38.1

Note: Choose the standard order models can get the sample quickly, please see P54 for standard models.

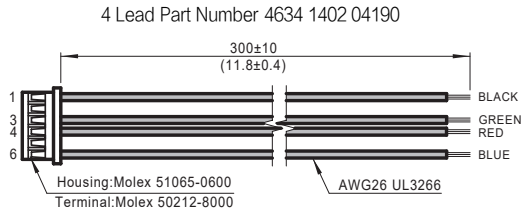
LC11 Step Motor - 4 Lead Bi-Polar

Motor Type Code	Motor Body Length (mm)	Step Angle (°)	Electrical Connection	Rated Current (Amps)	Winding	
					Resistanc(Ohms)	Inductance(mH)
					±10%@20°C	Typ.
LC111S	32	1.8	Plug In Connector	0.67	6.1	5.5
				1	2.7	2.5

Note: Recommended Driver, DC Input: SR2-Plus.

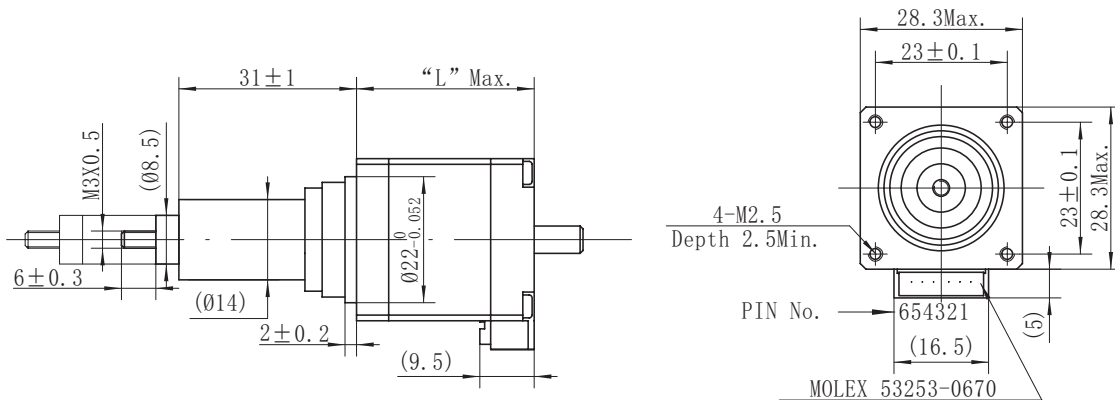
LC11 Series

■ Mating Connector With Leads (order separately)



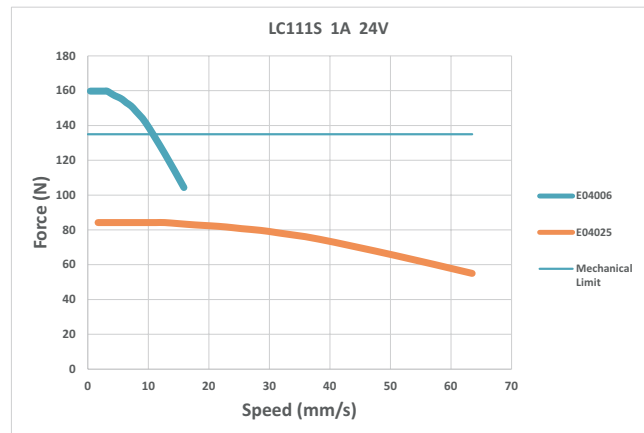
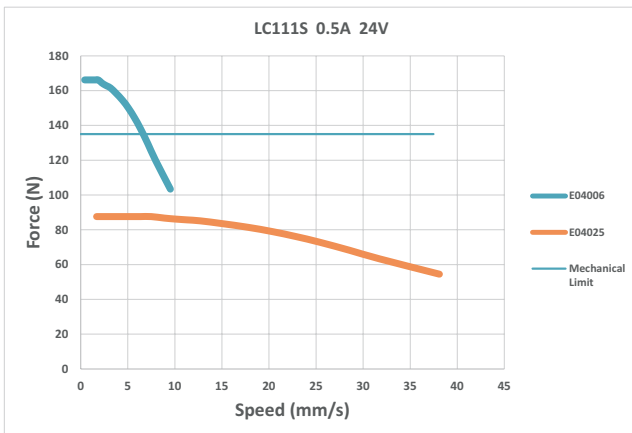
■ Dimensional Information

UNIT:mm



Motor Type	Dimension "L"
LC111S	32
LC113S	41

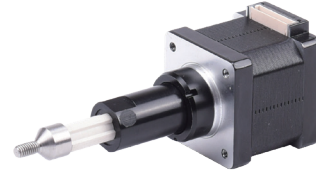
■ Speed - Force Reference Curve



LC Series

LC14 Series

Phases	2
Step Accuracy	±5%
IP Rating	40
Approvals	RoHS
Operating Temp.	-20°C~+50°C
Insulation Class	B(130°C)
Insulation Resistance	100MegOhms



■ 订购型号

LC 14 3S - E05006 - 25 - S - XXX

Lead Screw Motor Type Code

Code	Structure Type
LC	Captive Shaft

Frame Size Code

Code	Frame Size
14	35mm

Motor Body Length Code

Code	Motor Body Length Max(mm)	Step Angle (°)
3S	35	1.8

Lead Screw Type Code

Code	Nominal Diameter		Lead		Travel(mm)
	inch	mm	inch	mm	Travel Per1.8°
E05006	0.218	5.54	0.024	0.61	0.0030*
E05012			0.048	1.22	0.0061*
E05048			0.192	4.88	0.0244*
E06008	0.25	6.35	0.031	0.79	0.0039
E06016			0.063	1.60	0.0080
E06032			0.125	3.18	0.0159*
E06063			0.25	6.35	0.0318*
E06085			0.333	8.46	0.0423*
E06127			0.5	12.70	0.0635
E06254			1	25.40	0.1270

The number with * is abbreviated.

Rated Current Code

XXX=X.XX(A)

Special Custom Type Code

Code	Custom Type
0	Non Special Custom
S	Lead Screw End Machining
C	Other Special Custom Type

Stroke Code

Code	Stroke(mm)
25	25.4

Note: Choose the standard order models can get the sample quickly, please see P54 for standard models.

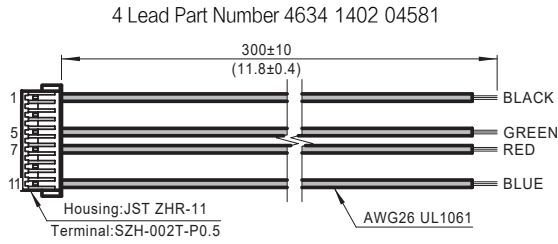
■ LC14 Step Motor - 4 Lead Bi-Polar

Motor Type Code	Motor Body Length (mm)	Step Angle (°)	Electrical Connection	Rated Current (Amps)	Winding	
					Resistanc(Ohms) ±10%@20°C	Inductance(mH) Typ.
LC143S	35	1.8	Plug In Connector	0.5	15.1	25
				1	3.4	5.3
				1.5	1.61	2.5

Note: Recommended Driver, DC Input: SR2-Plus.

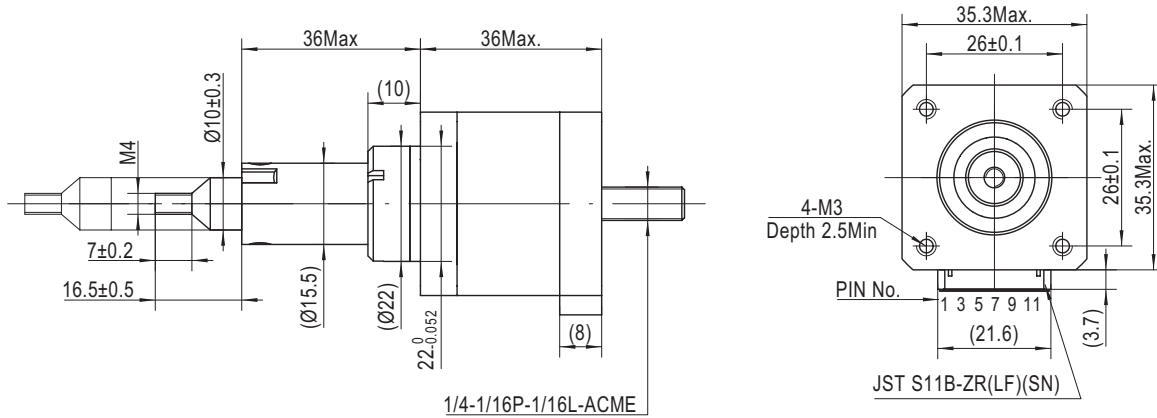
LC14 Series

■ Mating Connector With Leads (order separately)

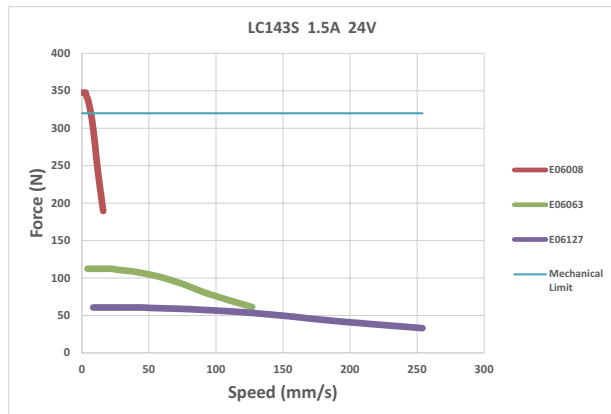
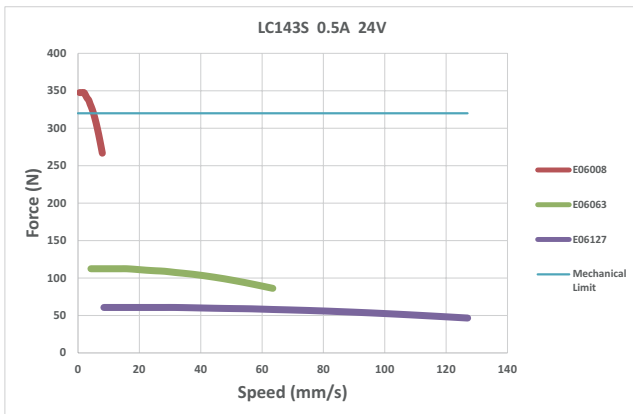


■ Dimensional Information

UNIT:mm

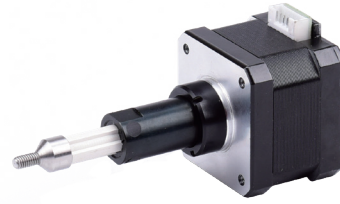


■ Speed - Force Reference Curve



LC17 Series

Phases	2
Step Accuracy	±5%
IP Rating	40
Approvals	RoHS
Operating Temp.	-20°C~+50°C
Insulation Class	B(130°C)
Insulation Resistance	100MegOhms



Ordering Information

LC 17 2S – E05006 – 25 – S – XXX

Lead Screw Motor Type Code

Code	Structure Type
LC	Captive Shaft

Frame Size Code

Code	Frame Size
17	42mm

Motor Body Length Code

Code	Motor Body Length Max(mm)	Step Angle (°)
4S	34	1.8
2S	40	
6S	48	

Lead Screw Type Code

Code	Nominal Diameter		Lead		Travel(mm)
	inch	mm	inch	mm	Travel Per1.8°
E05006	0.218	5.54	0.024	0.61	0.0030*
E05012			0.048	1.22	0.0061*
E05048			0.192	4.88	0.0244*
E06008	0.25	6.35	0.031	0.79	0.0039
E06016			0.063	1.60	0.0080
E06032			0.125	3.18	0.0159*
E06063			0.25	6.35	0.0318*
E06085			0.333	8.46	0.0423*
E06127			0.5	12.70	0.0635
E06254			1	25.40	0.1270

The number with * is abbreviated.

Rated Current Code

XXX=X.XX(A)

Special Custom Type Code

Code	Custom Type
0	Non Special Custom
S	Lead Screw End Machining
C	Other Special Custom Type

Stroke Code

Code	Stroke(mm)
25	25.4

Note: Choose the standard order models can get the sample quickly, please see P54 for standard models.

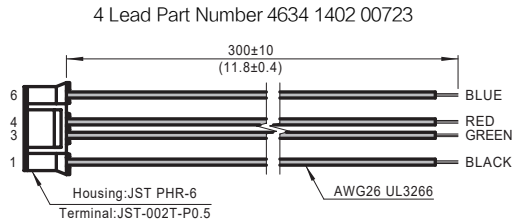
LC17 Series

■ LC17 Step Motor - 4 Lead Bi-Polar

Motor Type Code	Motor Body Length (mm)	Step Angle (°)	Electrical Connection	Rated Current (Amps)	Winding	
					Resistanc(Ohms) ±10%@20°C	Inductance(mH) Typ.
LC174S	34	1.8	Plug In Connector	0.65	8.7	15.2
				1	4.2	7
				1.5	1.75	2.8
LC172S	40	1.8	Plug In Connector	1	3.9	10.8
				1.5	1.98	4.9
				2	1.04	2.5
LC176S	48	1.8	Plug In Connector	1	4.9	10.2
				2	1.25	2.8

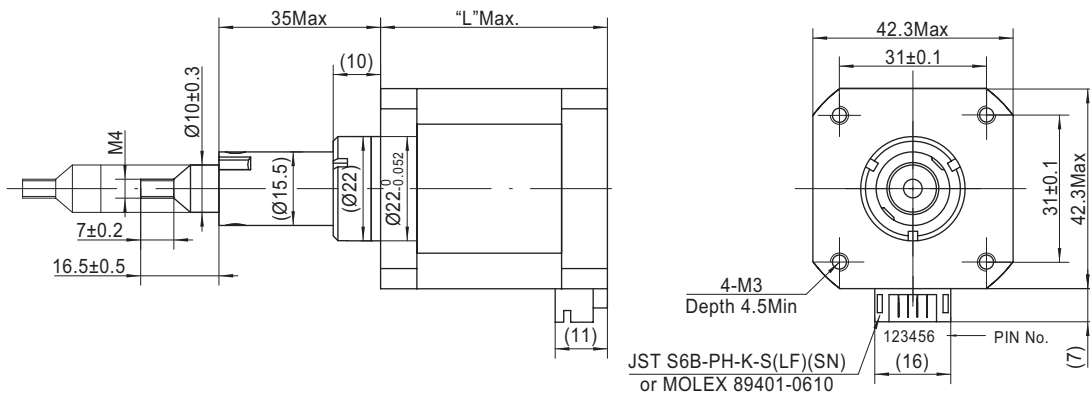
Note: Recommended Driver, DC Input: SR2-Plus, SR4-Plus.

■ Mating Connector With Leads (order separately)



■ Dimensional Information

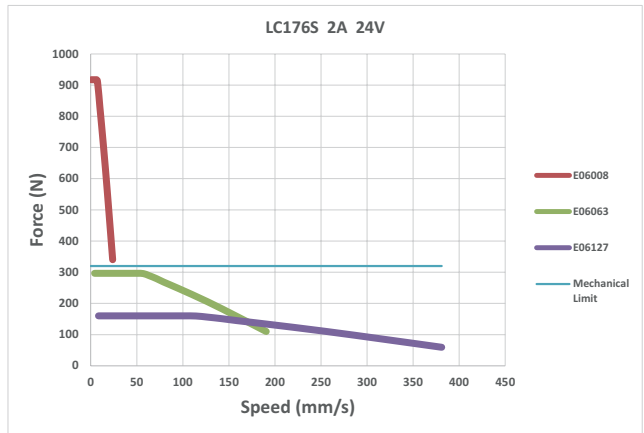
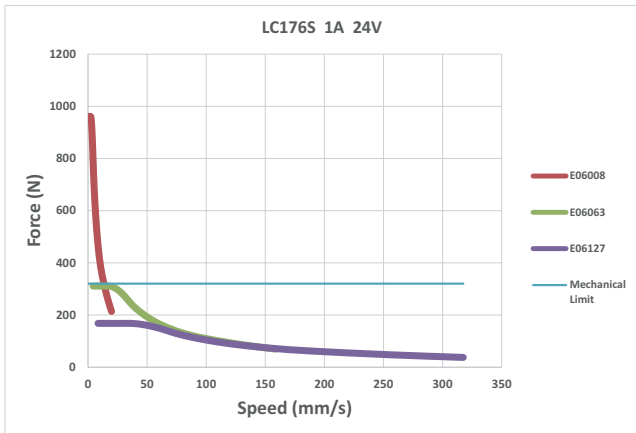
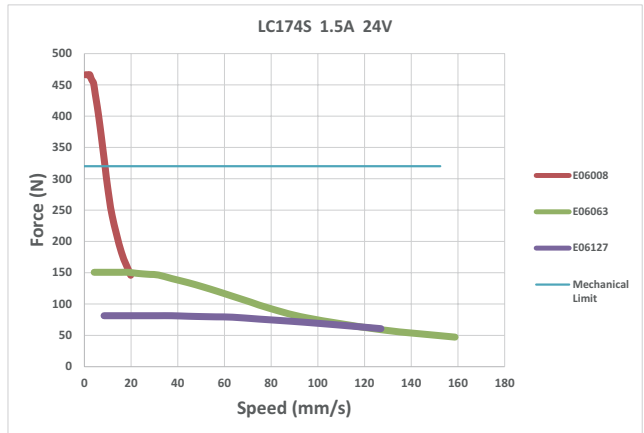
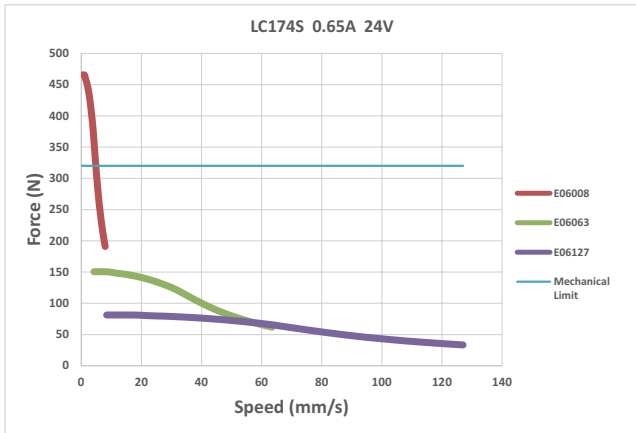
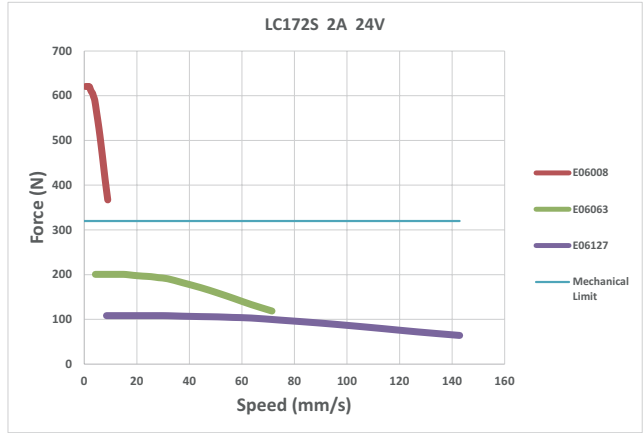
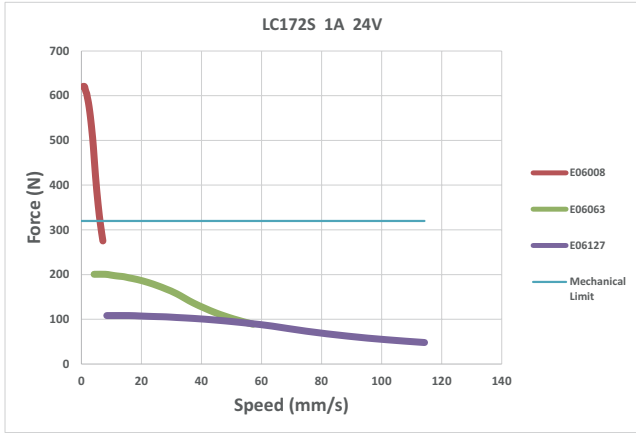
UNIT:mm



Motor Type	Dimension "L"
LC174S	34.3
LC172S	39.8
LC176S	48.3

LC17 Series

Speed - Force Reference Curve



LC Series

LC23 Series

Phases	2
Step Accuracy	±5%
IP Rating	40
Approvals	RoHS
Operating Temp.	-20°C~+50°C
Insulation Class	B(130°C)
Insulation Resistance	100MegOhms



Ordering Information

LC 23 8S - E09050 - 25 - S - XXX

Lead Screw Motor Type Code

Code	Structure Type
LC	Captive Shaft

Frame Size Code

Code	Frame Size
23	57mm

Motor Body Length Code

Code	Motor Body Length Max(mm)	Step Angle (°)
4S	45	1.8
8S	57	
AS	79	

Lead Screw Type Code

Code	Nominal Diameter		Lead		Travel(mm)
	inch	mm	inch	mm	Travel Per1.8°
E09025	0.375	9.53	0.1	2.54	0.0127
E09050			0.2	5.08	0.0254
E09102			0.4	10.16	0.0508*
E09254	0.382	9.70	1	25.40	0.1270

The number with * is abbreviated.

Rated Current Code

XXX=X.XX(A)

Special Custom Type Code

Code	Custom Type
0	Non Special Custom
S	Lead Screw End Machining
C	Other Special Custom Type

Stroke Code

Code	Stroke(mm)
25	25.4

Note: Choose the standard order models can get the sample quickly, please see P54 for standard models.

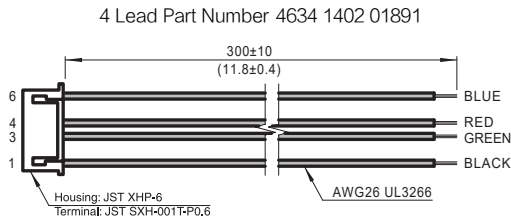
LC23 Series

LC23 Step Motor - 4 Lead Bi-Polar

Motor Type Code	Motor Body Length (mm)	Step Angle (°)	Electrical Connection	Rated Current (Amps)	Winding	
					Resistanc(Ohms) ±10%@20°C	Inductance(mH) Typ.
LC234S	45	1.8	Plug In Connector	1.5	2.9	7.5
				2.1	1.6	3.9
LC238S	57	1.8	Plug In Connector	1.5	3.9	15
				2.2	1.6	7.2
LC23AS	79	1.8	Plug In Connector	1.5	4.3	18.5
				3	1.1	5

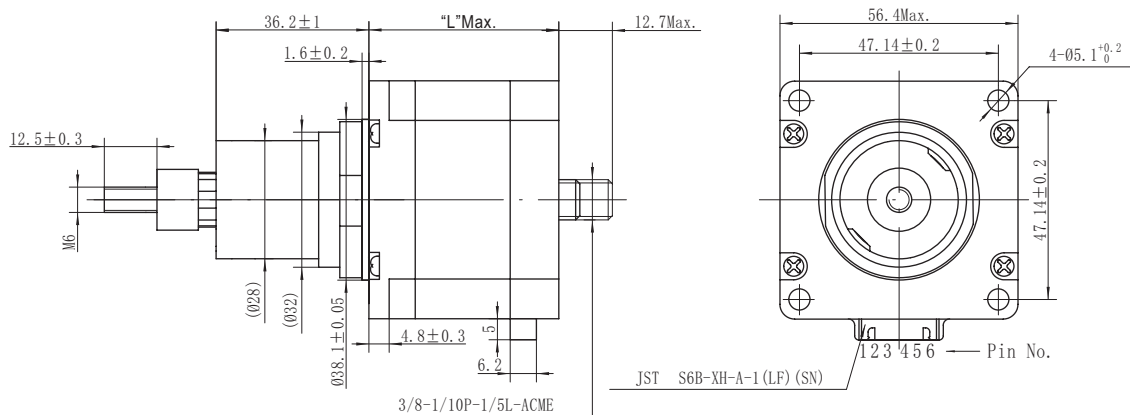
Note: Recommended Driver, DC Input: SR8-Plus.

Mating Connector With Leads (order separately)



Dimensional Information

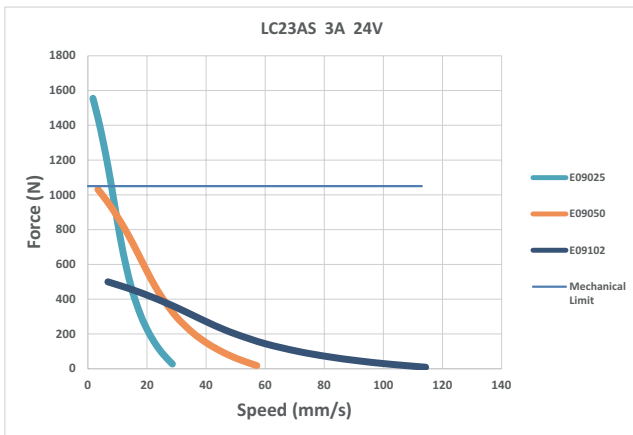
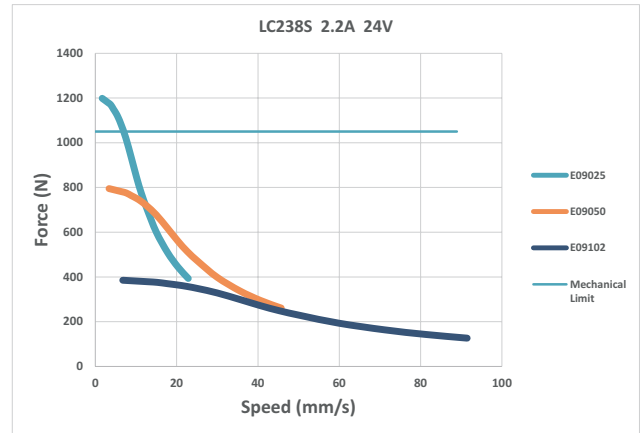
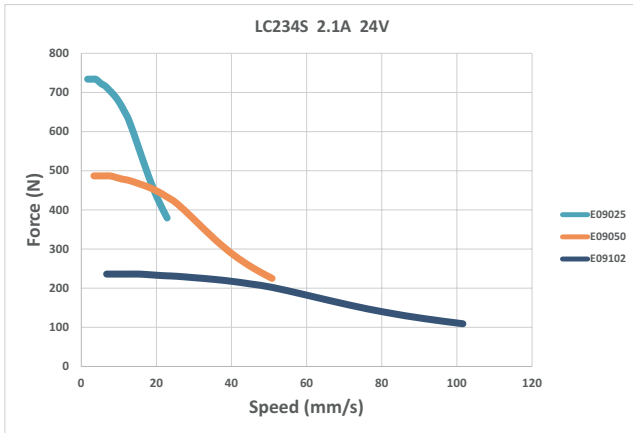
UNIT:mm



Motor Type	Dimension "L"
LC234S	45
LC238S	57
LC23AS	79

LC23 Series

Speed - Force Reference Curve



Linear Slides(Lead screws)

MOONS' Linear Slides are designed to meet the needs of customers' compact structure. These products offer many advantages such as high integration, small size, quieter operation, stable product quality and lower cost. Not only provides the best performance but also easier to use.

- Structural features of MS and CS Series:Can meet the requirements of compact space in different directions
- Three sizes motor options: NEMA11/14/17
- Each size of Linear Slides has a variety of lead options.
- Each size of Linear Slides has encoder & brake options.

MOONS' has committed to product innovation design and technical improvement, with excellent product quality,application technology, fast and flexible services,which provide customers with high level motion control solutions.



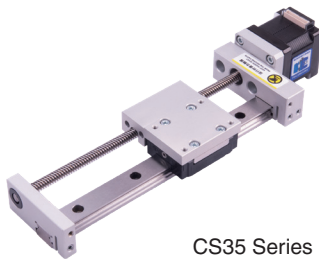
MS28 Series



MS35 Series



MS42 Series



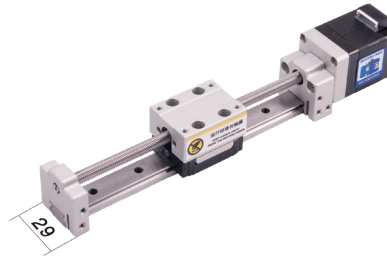
CS35 Series



CS42 Series

MS28 Series

- Integrated design, Easy installation
- Small Size, Width 29mm
- Anti-Backlash technology, High repeatability



Ordering Information

MS28 - 3D1 0 T - L AE 1 - XX - 0 - XXXX

Series Code

Code	Mating Motor
MS28	NEMA11

Motor Length Code

Code	Motor Length Max(mm)
3D1	32 (LE111S)
3D2	41 (LE113S)

Additional Options Code

Code	Additional Options*
0	No additional
B	Brake
E	Encoder

Outlet Direction Code

Code	Outlet Direction**
T	Top
B	Bottom
L	Left
R	Right

Screw Type Code

Code	Screw Type
L	Standard Leadscrews

Special Custom Type Code

This code defines by our technical department

Sensor Options Code

Code	Sensor Quantity
0	No Sensor
1	1
2	2

Stroke Options (mm)

Options: 30,60,90,120

Nut Type Code

Code	Nut Type
1	Standard Nut
2	Anti-Backlash Nut

Lead code

Code	Lead (inch)	Code	Lead (mm)
ED	0.024	AH	1
EC	0.025	AG	2
EB	0.048	AE	3
AM	0.1	AX	5
EQ	0.192	AJ	10
AB	0.25	BD	12
AC	0.5		

Note:

*Additional Options: Additional Options: MOONS' provides encoders & brakes for LE11 series motors as additional options,see page 29 & page 30 for more details.

**Outlet Direction:Customer can choose the outlet direction according to the actual requirements,see the dimensional information for outlet direction definition in next page.

MS28 Series

Technical Data

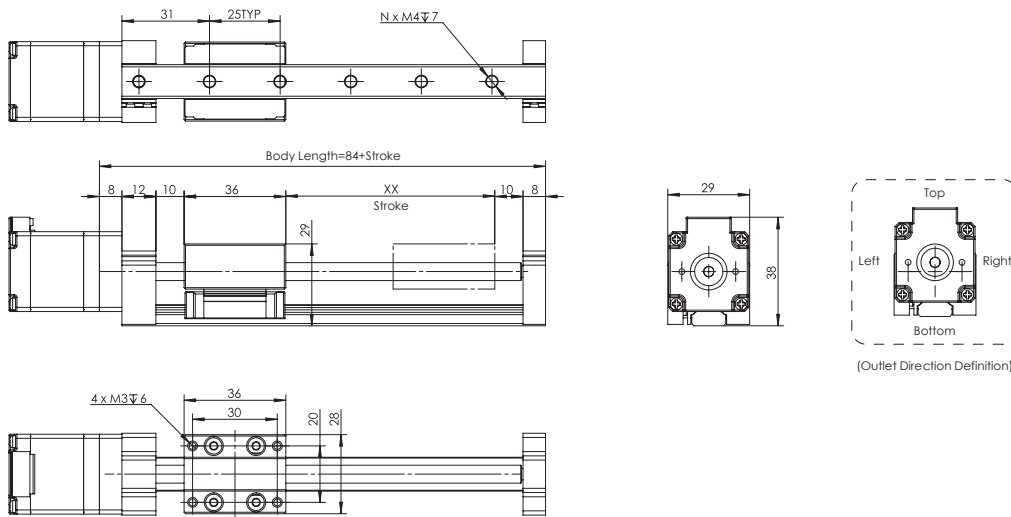
Series	Lead code	Lead	Maximum Speed (mm/s)	Maximum Load(kg) Motor: LE111S		Maximum Load(kg) Motor: LE113S	
				Horizontal	Vertical	Horizontal	Vertical
MS28	ED	0.024"	6.096	3	2	3	2
	EC	0.025"	6.35	3	2	3	2
	EB	0.048"	12.192	3	2	3	2
	AM	0.1"	25.4	3	2	3	2
	EQ	0.192"	48.768	2.4	1.6	3	2
	AB	0.25"	63.5	1.8	1.2	3	2
	AC	0.5"	127	1	0.6	1.6	1.1
	AH	1mm	10	3	2	3	2
	AG	2mm	20	3	2	3	2
	AE	3mm	30	3	2	3	2
	AX	5mm	50	2.3	1.5	3	2
	AJ	10mm	100	1.3	0.9	2.1	1.4
BD	12mm	120	1.1	0.7	1.8	1.2	

Note:

- 1.The above options are common choices, please consult our technical department for further information.
- 2.Recommended Driver, DC Input: SR2-Plus.

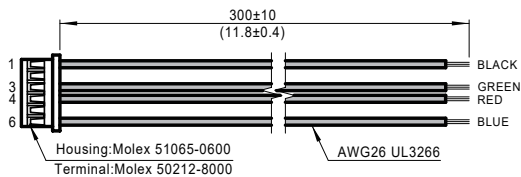
Dimensional Information

Unit: mm



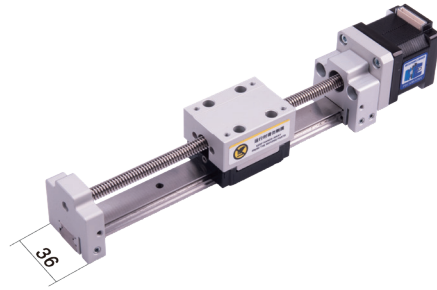
Mating Connector With Leads

4 Lead Part Number 4634 1402 04190



MS35 Series

- Integrated design, Easy installation
- Small Size, Width 36mm
- Anti-Backlash technology, High repeatability



Ordering Information

MS35 - 3C2 0 T - L AE 1 - XX - 0 - XXXX

Series Code		Special Custom Type Code	
Code	Mating Motor	This code defines by our technical department	
MS35	NEMA14		
Motor Length Code		Sensor Options Code	
Code	Motor Length Max(mm)	Code	Sensor Quantity
3C2	36 (LE143S)	0	No Sensor
		1	1
		2	2
Additional Options Code		Stroke Options (mm)	
Code	Additional Options*	### Options: 50,100,150	
0	No additiona		
B	Brake		
E	Encoder		
Outlet Direction Code		Nut Type Code	
Code	Outlet Direction**	Code	Nut Type
T	Top	1	Standard Nut
B	Bottom	2	Anti-Backlash Nut
L	Left		
R	Right		
Screw Type Code		Lead code	
Code	Screw Type	Code	Lead (mm)
L	Standard Leadscrews	ED	0.024
		EB	0.048
		EQ	0.192
		AB	0.25
		AC	0.5
		AH	1
		AG	2
		AE	3
		AX	5
		AJ	10
		BD	12

Note:

*Additional Options: Additional Options: MOONS' provides encoders & brakes for LE14 series motors as additional options,see page 29 & page 30 for more details.

**Outlet Direction:Customer can choose the outlet direction according to the actual requirements,see the dimensional information for outlet direction definition in next page.

MS35 Series

Technical Data

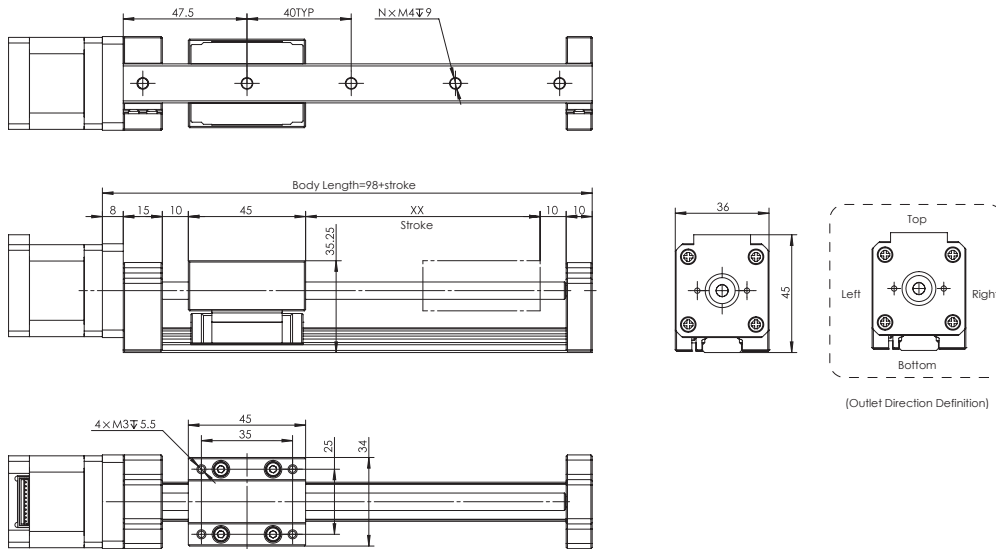
Series	Lead code	Lead	Maximum Speed (mm/s)	Maximum Load(kg) Motor: LE143S	
				Horizontal	Vertical
MS35	ED	0.024"	6.096	5	3
	EB	0.048"	12.192	5	3
	EQ	0.192"	48.768	5	3
	AB	0.25"	63.5	4.5	3
	AC	0.5"	127	2.4	1.6
	AH	1mm	10	5	3
	AG	2mm	20	5	3
	AE	3mm	30	5	3
	AX	5mm	50	5	3
	AJ	10mm	100	3.2	2.1
	BD	12mm	120	2.7	1.8

Note:

- 1.The above options are common choices, please consult our technical department for further information.
- 2.Recommended Driver, DC Input: SR2-Plus.

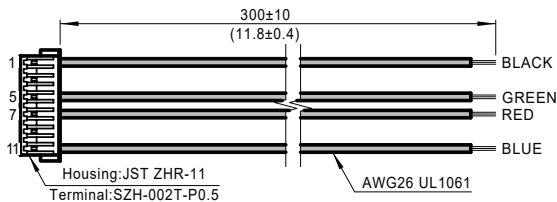
Dimensional Information

Unit: mm



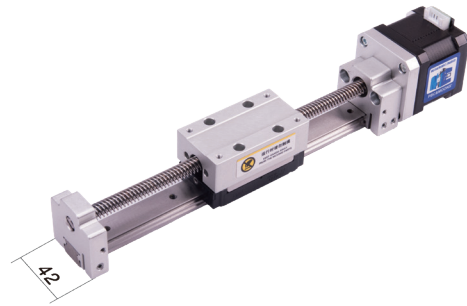
Mating Connector With Leads

4 Lead Part Number 4634 1402 04581



MS42 Series

- Integrated design, Easy installation
- Small Size, Width 42mm
- Anti-Backlash technology, High repeatability



Ordering Information

MS42 - 3A1 0 T - L AR 1 - XX - 0 - XXXX

Series Code

Code	Mating Motor
MS42	NEMA17

Motor Length Code

Code	Motor Length Max(mm)
3A1	39.8 (LE172S)
3A2	48.3 (LE176S)

Additional Options Code

Code	Additional Options*
0	No additional
B	Brake
E	Encoder

Outlet Direction Code

Code	Outlet Direction **
T	Top
B	Bottom
L	Left
R	Right

Screw Type Code

Code	Screw Type
L	Standard Leadscrews

Special Custom Type Code

This code defines by our technical department

Sensor Options Code

Code	Sensor Quantity
0	No Sensor
1	1
2	2

Stroke Options (mm)

Options: 50,100,150,200

Nut Type Code

Code	Nut Type
1	Standard Nut
2	Anti-Backlash Nut

Lead code

Code	Lead (mm)	Code	Lead (mm)
CG	1.25	AX	5
AA	5.08	BH	8
BX	10.5	AJ	10
AH	1	BD	12
AG	2	AF	16
AR	4	AW	25

Note:

*Additional Options: Additional Options: MOONS' provides encoders & brakes for LE17 series motors as additional options,see page 29 & page 30 for more details.

**Outlet Direction:Customer can choose the outlet direction according to the actual requirements,see the dimensional information for outlet direction definition in next page.

MS42 Series

Technical Data

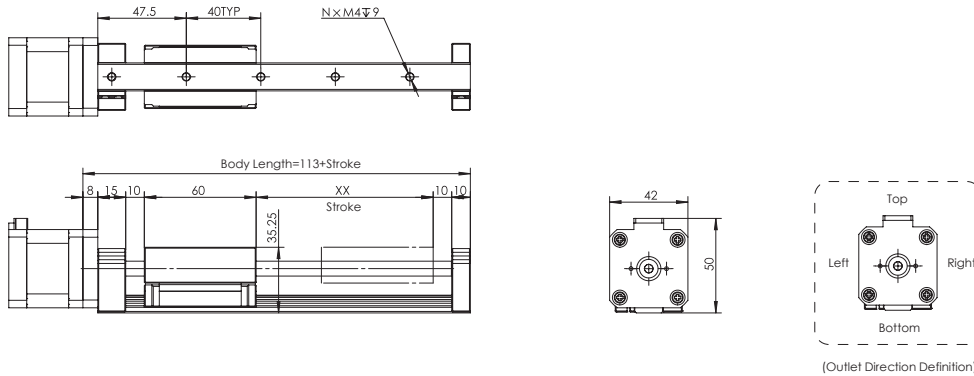
Series	Lead code	Lead	Maximum Speed (mm/s)	Maximum Load(kg) Motor: LE172S		Maximum Load(kg) Motor: LE176S	
				Horizontal	Vertical	Horizontal	Vertical
MS42	CG	1.25mm	12.5	5	3	5	3
	AA	5.08mm	50.8	5	3	5	3
	BX	10.5mm	105	5	3	5	3
	AH	1mm	10	5	3	5	3
	AG	2mm	20	5	3	5	3
	AR	4mm	40	5	3	5	3
	AX	5mm	50	5	3	5	3
	BH	8mm	80	5	3	5	3
	AJ	10mm	100	5	3	5	3
	BD	12mm	120	5	3	5	3
	AF	16mm	160	3.8	2.5	4.8	3
	AW	25mm	250	2.4	1.6	3.1	2

Note:

- 1.The above options are common choices, please consult our technical department for further information.
- 2.Recommended Driver, DC Input: SR2-Plus.

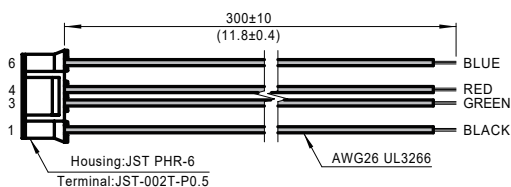
Dimensional Information

Unit: mm



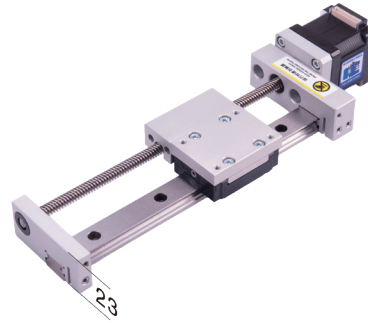
Mating Connector With Leads

4 Lead Part Number 4634 1402 00723



CS35 Series

- Integrated design, Easy installation
- Small Size, Height 23mm
- Anti-Backlash technology, High repeatability



Ordering Information

CS35 - 3C2 0 T - L AE 1 - XX - 0 - XXXX

Series Code

Code	Mating Motor
CS35	NEMA14

Motor Length Code

Code	Motor Length Max(mm)
3C2	36 (LE143S)

Additional Options Code

Code	Additional Options*
0	No additional
B	Brake
E	Encoder

Outlet Direction Code

Code	Outlet Direction**
T	Top
B	Bottom
L	Left
R	Right

Screw Type Code

Code	Screw Type
L	Standard Leadscrews

Special Custom Type Code

This code defines by our technical department

Sensor Options Code

Code	Sensor Quantity
0	No Sensor
1	1
2	2

Stroke Options (mm)

Options: 50,100,150

Nut Type Code

Code	Nut Type
1	Standard Nut
2	Anti-Backlash Nut

Lead code

Code	Lead (inch)	Code	Lead (mm)
ED	0.024	AH	1
EB	0.048	AG	2
EQ	0.192	AE	3
AB	0.25	AX	5
AC	0.5	AJ	10
		BD	12

Note:

*Additional Options: Additional Options: MOONS' provides encoders & brakes for LE14 series motors as additional options,see page 29 & page 30 for more details.

**Outlet Direction:Customer can choose the outlet direction according to the actual requirements,see the dimensional information for outlet direction definition in next page.

CS35 Series

Technical Data

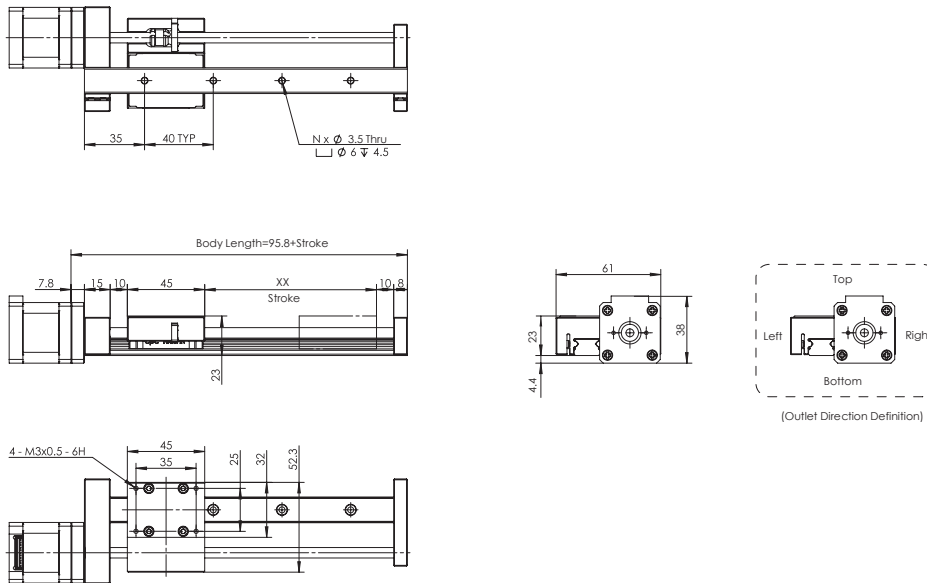
Series	Lead code	Lead	Maximum Speed (mm/s)	Maximum Load(kg) Motor: LE143S	
				Horizontal	Vertical
CS35	ED	0.024"	6.096	5	3
	EB	0.048"	12.192	5	3
	EQ	0.192"	48.768	5	3
	AB	0.25"	63.5	4.5	3
	AC	0.5"	127	2.4	1.6
	AH	1mm	10	5	3
	AG	2mm	20	5	3
	AE	3mm	30	5	3
	AX	5mm	50	5	3
	AJ	10mm	100	3.2	2.1
	BD	12mm	120	2.7	1.8

Note:

- 1.The above options are common choices, please consult our technical department for further information.
- 2.Recommended Driver, DC Input: SR2-Plus.

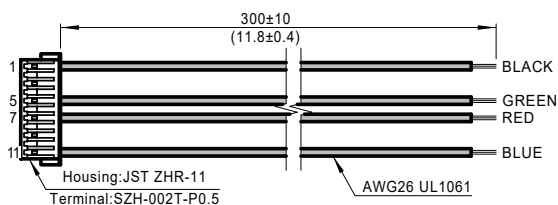
Dimensional Information

Unit: mm



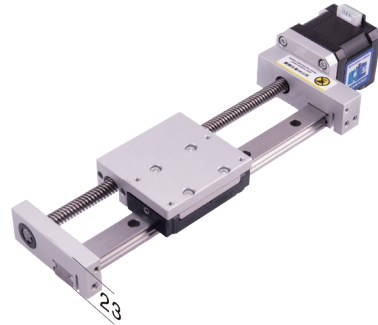
Mating Connector With Leads

4 Lead Part Number 4634 1402 04581



CS42 Series

- Integrated design, Easy installation
- Small Size, Height 23mm
- Anti-Backlash technology, High repeatability



Ordering Information

CS42 - 3A1 0 T - L AR 1 - XX - 0 - XXXX

Code	Mating Motor
CS42	NEMA17

Series Code

Code	Motor Length Max(mm)
3A1	39.8 (LE172S)
3A2	48.3 (LE176S)

Motor Length Code

Code	Additional Options*
0	No additional
B	Brake
E	Encoder

Additional Options Code

Code	Outlet Direction **
T	Top
B	Bottom
L	Left
R	Right

Outlet Direction Code

Code	Screw Type
L	Standard Leadscrews

Screw Type Code

Code	Stroke Options (mm)
0	No Sensor
1	1
2	2

Sensor Options Code

Options: 50,100,150,200

Code	Nut Type
1	Standard Nut
2	Anti-Backlash Nut

Nut Type Code

Code	Lead (mm)	Code	Lead (mm)
CG	1.25	AX	5
AA	5.08	BH	8
BX	10.5	AJ	10
AH	1	BD	12
AG	2	AF	16
AR	4	AW	25

Lead code

Special Custom Type Code
This code defines by our technical department

Note:

*Additional Options: Additional Options: MOONS' provides encoders & brakes for LE17 series motors as additional options,see page 29 & page 30 for more details.

**Outlet Direction:Customer can choose the outlet direction according to the actual requirements,see the dimensional information for outlet direction definition in next page.

CS42 Series

Technical Data

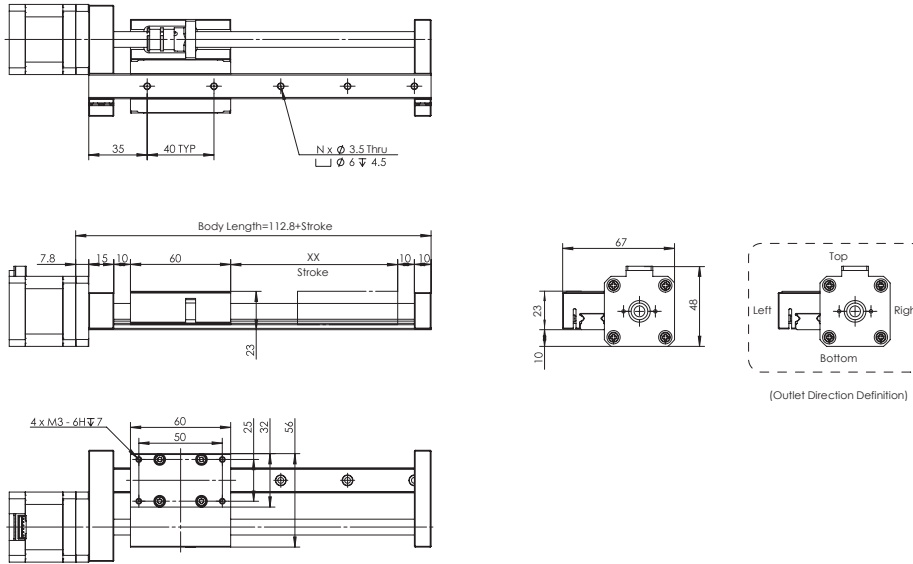
Series	Lead code	Lead	Maximum Speed (mm/s)	Maximum Load(kg) Motor: LE172S		Maximum Load(kg) Motor: LE176S	
				Horizontal	Vertical	Horizontal	Vertical
CS42	CG	1.25mm	12.5	5	3	5	3
	AA	5.08mm	50.8	5	3	5	3
	BX	10.5mm	105	5	3	5	3
	AH	1mm	10	5	3	5	3
	AG	2mm	20	5	3	5	3
	AR	4mm	40	5	3	5	3
	AX	5mm	50	5	3	5	3
	BH	8mm	80	5	3	5	3
	AJ	10mm	100	5	3	5	3
	BD	12mm	120	5	3	5	3
	AF	16mm	160	3.8	2.5	4.8	3
	AW	25mm	250	2.4	1.6	3.1	2

Note:

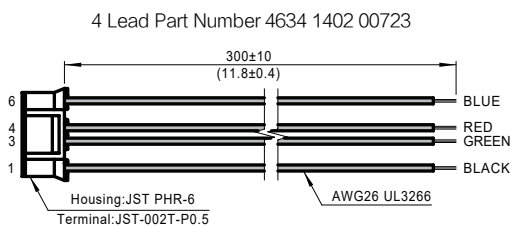
- 1.The above options are common choices, please consult our technical department for further information.
- 2.Recommended Driver, DC Input: SR2-Plus.

Dimensional Information

Unit: mm



Mating Connector With Leads



DC Input Stepper Drive-SR Series

SR Series Drives

The SR series are compact, powerful, digital stepper drives feature advanced microstepping performance and sophisticated current control. All drive setup is done via dip or rotary switches.

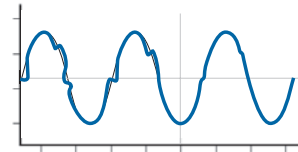
- **Advanced Current Control**
- **Anti-Resonance**
- **Torque Ripple Smoothing**
- **Microstep Emulation**
- **Self Test**



■ Features

Anti-Resonance

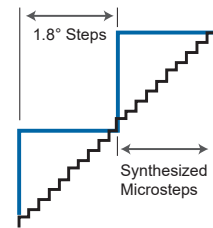
Step motor systems have a natural tendency to resonate at certain speeds. The SR drives automatically calculate the system's natural frequency and apply damping to the control algorithm. This greatly improves midrange stability, allows higher speeds and greater torque utilization, and also improves settling times.



Provides better motor performance and higher speeds

Microstep Emulation

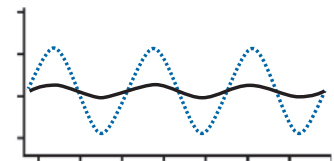
With Microstep Emulation, low resolution systems can still provide smooth motion. The drive can take low resolution step pulses and create fine resolution motion.



Delivers smoother motion in any application

Torque Ripple Smoothing

All step motors have an inherent low speed torque ripple that can affect the motion profile of the motor. By analyzing this torque ripple the system can apply a negative harmonic to counter this effect. This gives the motor much smoother motion at low speed.



Produces smoother motion at low speeds

Command Signal Smoothing

Command Signal smoothing can soften the effect of immediate changes in velocity and direction, making the motion of the motor less jerky. An added advantage is that it can reduce the wear on mechanical components.

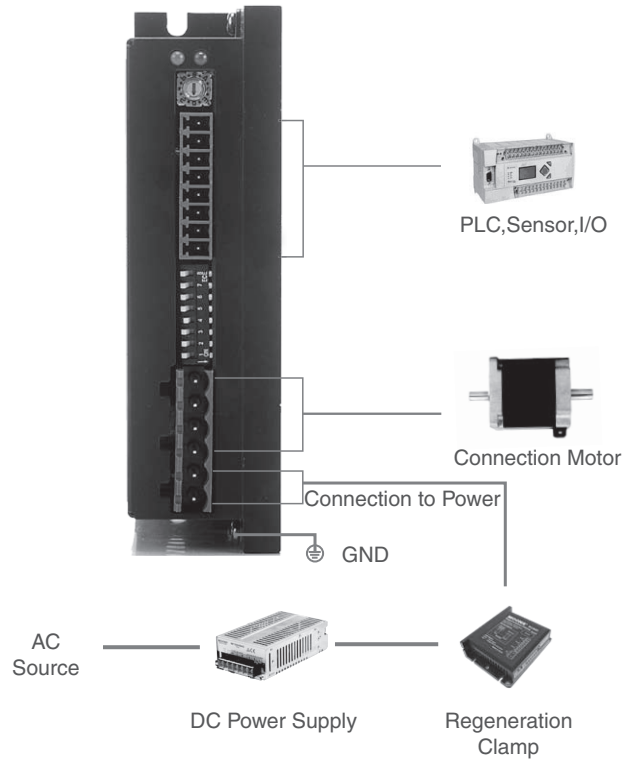


Improves overall system performance

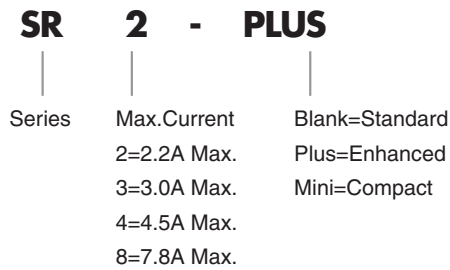
Auto Setup & Self Test

At start-up the drive measures motor parameters, including the resistance and inductance, then uses this information to optimize system performance. The drive can also detect open and short circuits.

■ System Configuration



■ Numbering System



■ Ordering Information

Model	Current	Voltage	Microstep Selection	Current Selection
SR2-Plus	0.3-2.2A	12-48VDC	16	8
SR3-mini	0.4-3.0A	12-48VDC	16	8
SR4-Plus	1.0-4.5A	24-48VDC	16	8
SR8-Plus	2.4-7.8A	24-75VDC	16	8

■ Drive Specifications

Specification	
Speed Range	Up to 3000RPM
Operating Temperature	0 - 40C°
Ambient Humidity	90% or less(non-condensing)
Vibration Resistance	5.9m/s ² maximum
Storage Temperature	-10 - 70C°
Heat Sinking Method	Natural cooling or fan-forced cooling
Atmosphere	Avoid dust, oily mist and corrosive air
Mass	SR2-Plus/SR3-mini: Approx. 120g
	SR4/8-Plus: Approx. 310g
Certification	RoHS , CE (EMC): EN 61800-3:2004
Features	
Idle Current	Automatic idle current reduction to reduce heat after motor stops moving for 1 second Dip switch selectable 50% or 90%
Anti-Resonance	Raises the system-damping ratio to eliminate midrange instability and allow stable operation throughout the speed range of the motor, dip switch selectable load inertia
Control Mode	Pulse input control Step&Dir
Inupt Signal Filter	Digital filters prevent position error from electrical noise on command signals, Dip switch selectable 2MHz or 150KHz
Microstep Emulation	Switch selectable microstep emulation provides smoother, more reliable motion
Motor Database	Rotary switch easily selects from many popular motors
Self Test	Switch selectable automatic self test, while self test, drive will rotate the motor back and forth, two turns in each direction
Fault output	Optically isolated,30VDC max, 100mA max

■ Electrical Specifications

SR2-Plus

Parameter	Min.	Typical	Max.	UNIT
Power Supply	12	-	42	VDC
Output Current (Peak)	0.3	-	2.2	Amps
Cost current of digital input signal	6	10	15	mA
Step Frequency	2	-	2M	Hz
STEP minimum pulse width	250	-	-	ns
DIR minimum pulse width	80	-	-	us
Under Voltage Protection	-	10	-	VDC
Over Voltage Protection	-	52	-	VDC
Input Signal Voltage	4	-	28	VDC
Initialization time	-	-	2.5	S
OUT maximum output current	-	-	100	mA
OUT maximum voltage	-	-	30	VDC

SR4-Plus

Parameter	Min.	Typical	Max.	UNIT
Power Supply	24	-	48	VDC
Output Current (Peak)	1	-	4.5	Amps
Cost current of digital input signal	6	10	15	mA
Step Frequency	2	-	2M	Hz
STEP minimum pulse width	250	-	-	ns
DIR minimum pulse width	80	-	-	us
Under Voltage Protection	-	20	-	VDC
Over Voltage Protection	-	60	-	VDC
Input Signal Voltage	4	-	28	VDC
Initialization time	-	-	2.5	S
OUT maximum output current	-	-	100	mA
OUT maximum voltage	-	-	30	VDC

SR3-mini

Parameter	Min.	Typical	Max.	UNIT
Power Supply	12	-	48	VDC
Output Current (Peak)	0.4	-	3	Amps
Cost current of digital input signal	6	10	15	mA
Step Frequency	2	-	500K	Hz
STEP minimum pulse width	1000	-	-	ns
DIR minimum pulse width	80	-	-	us
Under Voltage Protection	-	10	-	VDC
Over Voltage Protection	-	53	-	VDC
Input Signal Voltage	4	-	28	VDC
Initialization time	-	-	2.5	S

SR8-Plus

Parameter	Min.	Typical	Max.	UNIT
Power Supply	24	-	75	VDC
Output Current (Peak)	2.4	-	7.8	Amps
Cost current of digital input signal	6	10	15	mA
Step Frequency	2	-	2M	Hz
STEP minimum pulse width	250	-	-	ns
DIR minimum pulse width	80	-	-	us
Under Voltage Protection	-	20	-	VDC
Over Voltage Protection	-	85	-	VDC
Input Signal Voltage	4	-	28	VDC
Initialization time	-	-	2.5	S
OUT maximum output current	-	-	100	mA
OUT maximum voltage	-	-	30	VDC

DC Input Intelligent Fieldbus Control Stepper Driver-STF Series

STF Series Drives

The STF series are high performance fieldbus control stepper drive which also integrates with built-in motion controller. The drives can be controlled by SCL, Modbus, CANopen, eSCL, EtherNet/IP or EtherCAT in real time. Motion profiles can also be programmed and stored in drives(Q Program) and then be triggered by fieldbus commands.



- Compact size
- Anti resonance
- Advanced current control
- Torque ripple smoothing

Feature

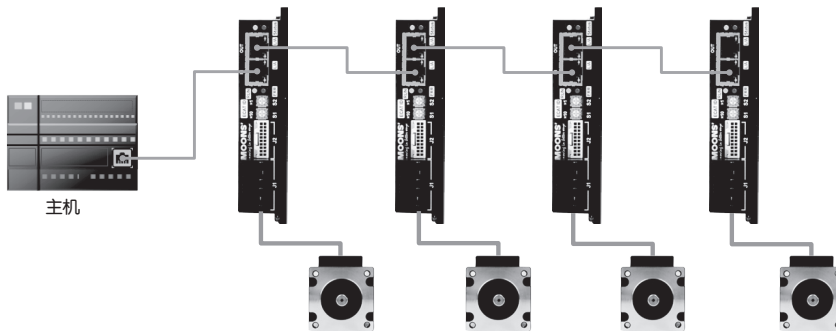
Host Control

- Accepts commands from host PC or PLC
- Real time control
- Multi-axes capable



Stand Alone Programmable

- Stored program execution
- Multi-tasking
- Conditional processing
- Math functions
- Data registers



Safe & convenient

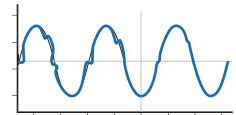
- Support communication and motor power cables disconnected protection
—— **Make equipments more safer**
- Support on-line configuration by fieldbus
—— **Make operation more convenient**

Rich and flexible I/O

- 8 Digital Inputs, 4 Digital Outputs
—— **Support for more feature settings**
- Dual Port RJ45 Bus Communication Control
—— **Support daisy chain connection**

Anti-Resonance

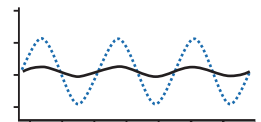
Step motor systems have a natural tendency to resonate at certain speeds. The STF drives automatically calculate the system's natural frequency and apply damping to the control algorithm. This greatly improves midrange stability, allows higher speeds and greater torque utilization, and also improves settling times.



Provides better motor performance and higher speeds

Torque Ripple Smoothing

All step motors have an inherent low speed torque ripple that can affect the motion profile of the motor. By analyzing this torque ripple the system can apply a negative harmonic to counter this effect. This gives the motor much smoother motion at low speed.



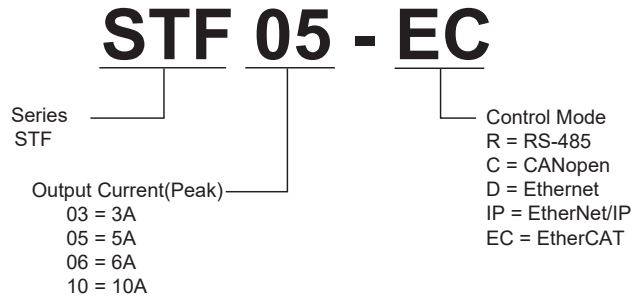
Produces smoother motion at low speed running

Auto Setup & Self Test

At start-up the drive measures motor parameters, including the resistance and inductance, then uses this information to optimize the system performance. The drive can also detect open and short circuits.

DC Input Intelligent Fieldbus Control Stepper Driver-STF Series

■ Numbering System



■ Ordering Information

Model	Current	Voltage	RS-485	Modbus/RTU	CANopen	Q Program
STF03-R	0.1 – 3.0 A	12 – 48 VDC	✓	✓		✓
STF05-R	0.1 – 5.0 A	24 – 48 VDC	✓	✓		✓
STF06-R	0.1 – 6.0 A	12 – 48 VDC	✓	✓		✓
STF10-R	0.1 – 10.0 A	24 – 70 VDC	✓	✓		✓
STF03-C	0.1 – 3.0 A	12 – 48 VDC			✓	✓
STF05-C	0.1 – 5.0 A	24 – 48 VDC			✓	✓
STF06-C	0.1 – 6.0 A	12 – 48 VDC			✓	✓
STF10-C	0.1 – 10.0 A	24 – 70 VDC			✓	✓

Model	Current	Voltage	Ethernet	Modbus/TCP	EtherNet/IP	EtherCAT	Q Program
STF03-D	0.1 – 3.0 A	12 – 48 VDC	✓	✓			✓
STF05-D	0.1 – 5.0 A	24 – 48 VDC	✓	✓			✓
STF06-D	0.1 – 6.0 A	12 – 48 VDC	✓	✓			✓
STF10-D	0.1 – 10.0 A	24 – 70 VDC	✓	✓			✓
STF03-IP	0.1 – 3.0 A	12 – 48 VDC	✓		✓		✓
STF05-IP	0.1 – 5.0 A	24 – 48 VDC	✓		✓		✓
STF06-IP	0.1 – 6.0 A	12 – 48 VDC	✓		✓		✓
STF10-IP	0.1 – 10.0 A	24 – 70 VDC	✓		✓		✓
STF03-EC	0.1 – 3.0 A	12 – 48 VDC				✓	✓
STF05-EC	0.1 – 5.0 A	24 – 48 VDC				✓	✓
STF06-EC	0.1 – 6.0 A	12 – 48 VDC				✓	✓
STF10-EC	0.1 – 10.0 A	24 – 70 VDC				✓	✓

DC Input Intelligent Fieldbus Control Stepper Driver-STF Series

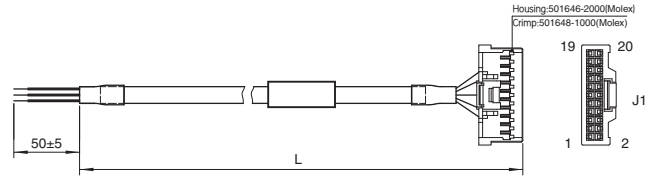
■ Drive Specifications

Power Amplifier	
Amplifier Type	Dual H-Bridge, 4 Quadrant
Current Control	PWM at 20 KHz
Output Current	STF03: 0.1 - 3.0A/phase (peak-of-sine) in 0.01 amp increments
	STF05: 0.1 - 5.0A/phase (peak-of-sine) in 0.01 amp increments
	STF06: 0.1 - 6.0A/phase (peak-of-sine) in 0.01 amp increments
	STF10: 0.1 - 10.0A/phase (peak-of-sine) in 0.01 amp increments
Input Voltage Range	STF03: 12 - 48VDC
	STF05: 24 - 48VDC
	STF06: 12 - 48VDC
	STF10: 24 - 70VDC
Maximum Input Voltage Range	STF03: 11 - 53VDC
	STF05: 18 - 53VDC
	STF06: 11 - 53VDC
	STF10: 18 - 75VDC
Protection	Over voltage, under voltage, over temp, over current, open winding, communication cable disconnection
Idle Current Reduction	Reduction range of 0 - 90% of running current after a delay selectable in milliseconds
Controller	
Anti-Resonance	Raises the system-damping ratio to eliminate midrange instability and allow stable operation throughout the speed range of the motor
Torque Ripple Smoothing	Allows for fine adjustment of phase current waveform harmonic content to reduce low-speed torque ripple in the range of 0.25 to 1.5 rps
Auto Test & Auto Setup	Auto test and setup at power on (ie. motor resistance and Inductance) to optimize your system performance.
Non-Volatile Storage	Configurations are saved in FLASH memory on-board the DSP
Operation Mode	-R Type: SCL, Q, Modbus/RTU
	-C Type: CANopen (CiA301 and CiA402 protocol). Q program can also be triggered via CANopen Command
	-D Type: eSCL, Q, Modbus/TCP
	-IP Type: EtherNet/IP, Q program also can be triggered via EtherNet/IP Command
	-EC Type: EtherCAT (CoE) with full support of CiA402, Support PP, PV, CSP&HM mode and Q mode
Digital Input	8 digital inputs
	X1, X2: Optically isolated, differential, 5-24VDC for high level voltage, minimum pulse width = 250ns, maximum pulse frequency = 2MHz
	X3, X4: Optically isolated, differential, 5-24VDC for high level voltage, minimum pulse width = 100µs, maximum pulse frequency = 5KHz
	X5 - X8: Optically isolated, single-ended, 5-24VDC for high level voltage, minimum pulse width = 100µs, maximum pulse frequency = 5KHz
Digital Output	4 digital outputs
	Y1 - Y4: Optically isolated, maximum voltage 30V, maximum sinking or sourcing current 100mA
Communication Port	-R Type: Dual port RS-485 (RJ45 connector)
	-C Type: Dual port CANopen (RJ45 connector) RS-232 included
	-D Type: Dual port Ethernet (RJ45 connector)
	-IP Type: Dual port Ethernet (RJ45 connector)
	-EC Type: Dual port Ethernet(RJ45 connector)and RS-232(RS-232 serial port for configuration)
Physical	
Ambient Temperature	0 - 40°C when mounted to a suitable heat sink
Humidity	90% non-condensing
Mass	STF03: 0.36kg
	STF05: 0.4kg
	STF06: 0.36kg
	STF10: 0.4kg

DC Input Intelligent Fieldbus Control Stepper Driver-STF Series

I/O Cable

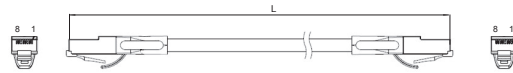
P/N	Length (L)
1015-030	0.3m
1015-100	1m
1015-200	2m



Pin No.	Assignment	Description	Color	Pin No.	Assignment	Description	Color
1	X1+	X1 Digital Input	Blue/White	11	X7	X7 Digital Input	Yellow
2	X1-		Blue/Black	12	X8	X8 Digital Input	Green
3	X2+	X2 Digital Input	Green/White	13	SHIELD	Shield	Shield
4	X2-		Green/Black	14	XCOM	X5-X8 Digital Input COM	Red
5	X3+	X3 Digital Input	Yellow/White	15	Y1	Y1 Digital Output	Brown
6	X3-		Yellow/Black	16	Y2	Y2 Digital Output	Gray
7	X4+	X4 Digital Input	Orange/White	17	Y3	Y3 Digital Output	White
8	X4-		Orange/Black	18	YCOM	Y1-Y3 Digital Output COM	Black
9	X5	X5 Digital Input	Blue	19	Y4+	Y4 Digital Output	Purple/White
10	X6	X6 Digital Input	Purple	20	Y4-		Purple/Black

Bus Communication Daisy Chain Cable

Common Type	Shielded Type	Length (L)
2012-030 *	2013-030	0.3m
2012-300	2013-300	3m



* 2012-030 is included in the drive package.

RC-880 Regeneration Clamp

RC-880 can clamp the regeneration and prevent the power supply and/or drive being damaged or destroyed. Connect the RC-880 between the power supply and the drive.

Max. Supply Voltage: 80V

Max. Output Current: 8A(rms)

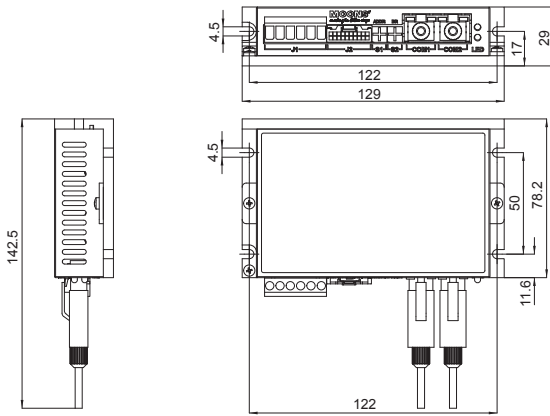
Continuous Power: 50W



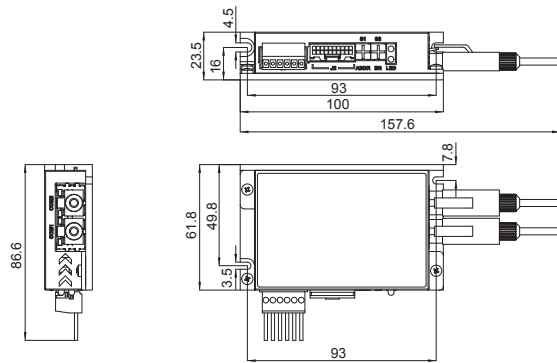
DC Input Intelligent Fieldbus Control Stepper Driver-STF Series

■ Ordering Information

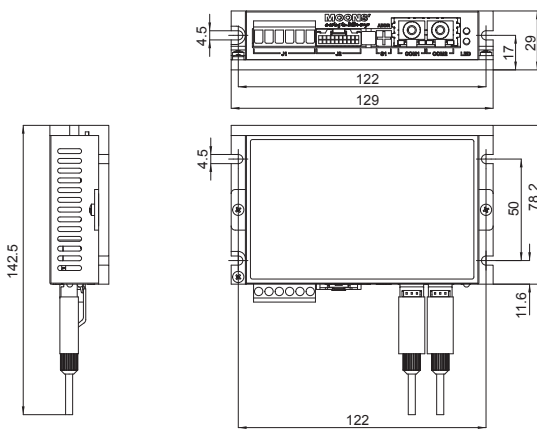
STF05/10-R, STF05/10-C



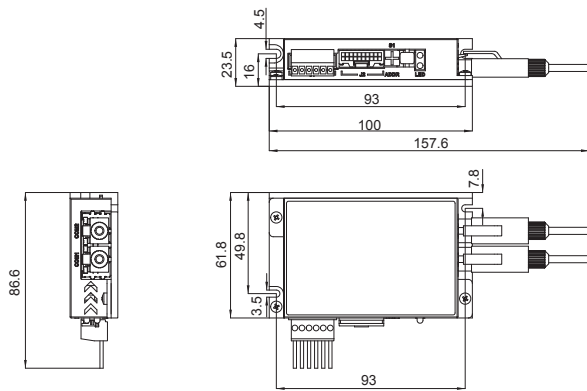
STF03/06-R, STF03/06-C



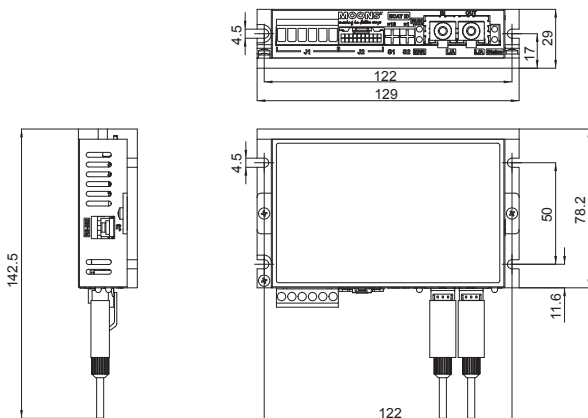
STF05/10-D, STF05/10-IP



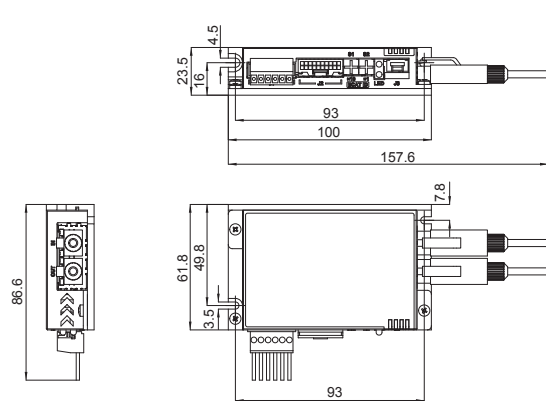
STF03/06-D, STF03/06-IP



STF05/10-EC



STF03/06-EC



How To Get Samples Quickly

If you require a specific configuration, and wish for our engineering department to provide samples that meet your critical parameters, please fill out the application data sheet below and sent to MOONS' .

(E-mail : info@moons.com.cn)

Application info. of Linear Step Motors & Linear Slides

Customer Info.

Customer: _____ Contact Info.: _____

Project No.: _____ Telephone: _____

Project Info.

Products Category : Linear Step Motors Linear Slides Stepper Drive

Background: New Design ,Competitor: _____ Substitution Project ,Current State: _____

Quantity of samples: _____ EAU: _____ Pain: _____

Expected Delivery Time: _____ Target Price: _____ USD/EA

Design Info.

Installation: Horizontal Vertical

Driving Condition: Voltage : _____ V Current : _____ A

Thrust Force: _____ N Working Speed: _____ mm/s

Stroke: _____ mm Repeatability: \pm _____ mm

Working Frequency: _____ cycles per hour, _____ hours per day.

Additional Options : Add Encoder Add Brake No additional

Environment : Indoor(Normal) Indoor(Dust-free) Medium or Heavy Dust Sticky Substance

High Humidity Salt Spray High Temp. _____ °C Low Temp. _____ °C

Vacuum Others: _____

Industry

Factory Automation Biochemical Analysis Medical Science 3D Printer Automatic Vending

Semiconductor Mfg. Lithium Battery Mfg. Photovoltaic Mfg. Electron Mfg. Measuring Instrument

Coordinate Robot Packaging Equipment Others: _____

Application Description

(Please describe your application so we can ensure the best possible solution.)

Worldwide Service Map



MOONS' Business Philosophies

• Customer satisfaction

MOONS' aims to enhance customer satisfaction through the provision development of innovative solutions, manufacture of high quality products, on-time delivery and outstanding customer support.

• Employee satisfaction

MOONS' values and respects our employees' input and encourages them to grow together with the company. We have been working to develop tools and trainings to build a thriving culture of excellence internally to support the future growth of our employees and the company.

• Partnership

MOONS' strongly believes in a true integrated partnership between all partners in business including customers, distributors and all these in supply chain. As a result of this philosophy, we endeavor to provide the best value contribution to all partners, which can help our partners improve their competitiveness to achieve the win-win situation.

■ MOONS' Headquarter

168 Mingjia Road, Minhang District, Shanghai 201107,
P.R. China
Tel: +86 (0)21 52634688
Fax: +86 (0)21 52634098

■ MOONS' International Trading Company

4/F, Building 30, 69 Guiqing Road, Cao He Jin Hi-Tech
Park, Shanghai 200233, P.R. China
Tel: +86 (0)21 64952755
Fax: +86 (0)21 64951993

■ Domestic Offices

Shenzhen

Room 2209, 22/F, Kerry Center, 2008 Renminnan Road,
Luohu District, Shenzhen 518001, P.R. China
Tel: +86 (0)755 25472080
Fax: +86 (0)755 25472081

Beijing

Room 1206, Jing Liang Mansion, No.16 Middle Road of East
3rd Ring, Chaoyang District, Beijing 100022, P.R. China
Tel: +86 (0)10 87661889
Fax: +86 (0)10 87661880

Nanjing

Room 1101-1102, Building 2, New Town Development
Center, No.126 Tianyuan Road, Moling Street,
Jiangning District, Nanjing 211106, P.R. China
Tel: +86 (0)25 52785841
Fax: +86 (0)25 52785485

Qingdao

Room 1012, Zhuoyue Tower, No.16 Fengcheng Road,
Shibei District, Qingdao 26000, P.R. China
Tel: +86 (0)532 80969935
Fax: +86 (0)532 80919938

Wuhan

Room 3001, World Trade Tower, 686 Jiefang Avenue,
Jianghan District, Wuhan 430022, P.R. China
Tel: +86 (0)27 85448742
Fax: +86 (0)27 85448355

Chengdu

Room 1917, Western Tower, 19, 4th Section of South People
Road, Wuhou District, Chengdu 610041, P.R. China
Tel: +86 (0)28 85268102
Fax: +86 (0)28 85268103

Xi'an

Room 1006, Tower D, Wangzuo International City,
1 Tangyan Road, Xi'an 710065, P.R. China
Tel: +86 (0)29 81870400
Fax: +86 (0)29 81870340

Ningbo

Room 309, Tower B, Taifu Plaza, 565 Jiangjia Road,
Jiangdong District, Ningbo, 315040, P.R. China
Tel: +86 (0)574 87052739
Fax: +86 (0)574 87052365

Guangzhou

Room 4006, Tower B, China Shine Plaza, 9 Linhe Xi Road,
Tianhe District, Guangzhou 510610, P.R. China
Tel: +86 (0)20 38010153
Fax: +86 (0)20 38103661

■ North America

MOONS' INDUSTRIES (AMERICA), INC.

1113 North Prospect Avenue, Itasca, IL 60143 USA
Tel: +1 630 8335940
Fax: +1 630 8335946

MOONS' INDUSTRIES (AMERICA), INC.

Boston Office
36 Cordage Park Circle, Suite 310
Plymouth, MA 02360 USA

APPLIED MOTION PRODUCTS, INC.

404 Westridge Dr. Watsonville, CA 95076, USA
Tel: +1 831 7616555

LIN ENGINEERING, INC.

16245 Vineyard Blvd., Morgan Hill, CA 95037
Tel: +1 408 9190200
Fax: +1 408 9190201

■ European

MOONS' INDUSTRIES (EUROPE) S.R.L.

Via Torri Bianche n.1 20871 Vimercate(MB) Italy
Tel: +39 039 6260521
Fax: +39 039 9631409

AMP & MOONS' AUTOMATION (GERMANY) GMBH

Börsenstraße 14
60313 Frankfurt am Main Germany

■ South-East Asia

MOONS' INDUSTRIES (SOUTH-EAST ASIA) PTE. LTD.

33 Ubi Avenue 3 #08-23 Vertex Singapore 408868
Tel: +65 66341198
Fax: +65 66341138

■ Japan

MOONS' INDUSTRIES JAPAN CO., LTD.

Room 601, 6F, Shin Yokohama Koushin Building,
2-12-1, Shin-Yokohama, Kohoku-ku, Yokohama,
Kanagawa, 222-0033, Japan
Tel: +81 (0)45 4755788
Fax: +81 (0)45 4755787



[http:// www.moons.com.cn](http://www.moons.com.cn)
E-mail: info@moons.com.cn

MOONS'
moving in better ways

- All specifications and technical parameters of the products provided in this catalog are for reference only, and are subject to change without notice. For details, please contact our sales team.